

Note:

1. All joints/gaps to be sealed with tape or Gyproc acoustic sealant caulk.



P.O. Box 7454, Kiln Farm,
Milton Keynes, MK11 3AB
Telephone 01908 266 200
Fax 01908 266 120
www.kingspanoffsite.com

Description:

**Timber frame party wall
external wall junction -
(plan view)**

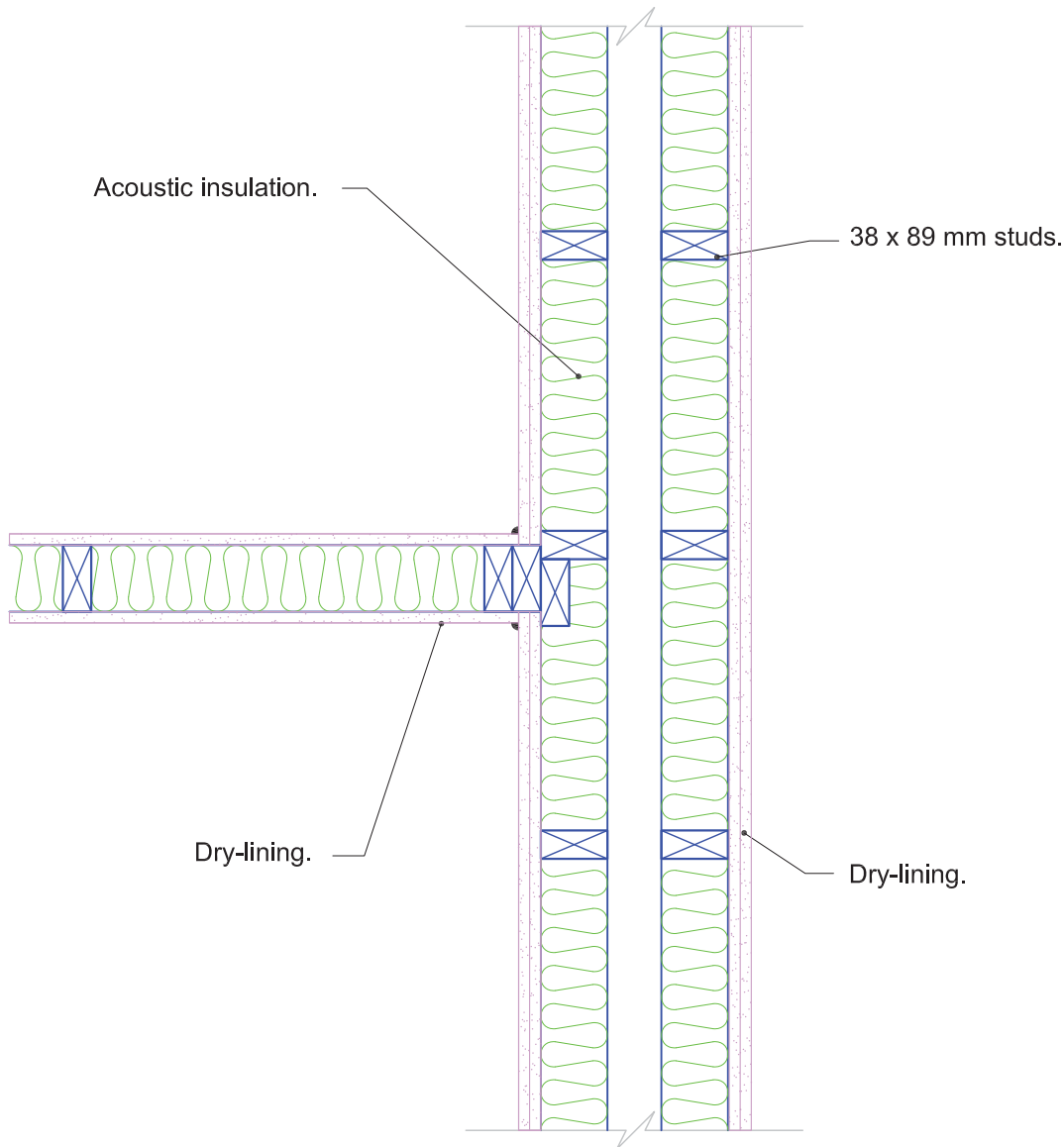
Scale: NTS

Date: 17/03/08

Drawn: W.M

Drawing No:





Note:

1. All joints/gaps to be sealed with tape or Gyproc acoustic sealant caulk



Off-Site

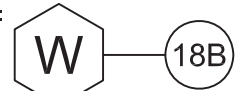
P.O. Box 7454, Kiln Farm,
Milton Keynes, MK11 3AB
Telephone 01908 266 200
Fax 01908 266 120
www.kingspanoffsite.com

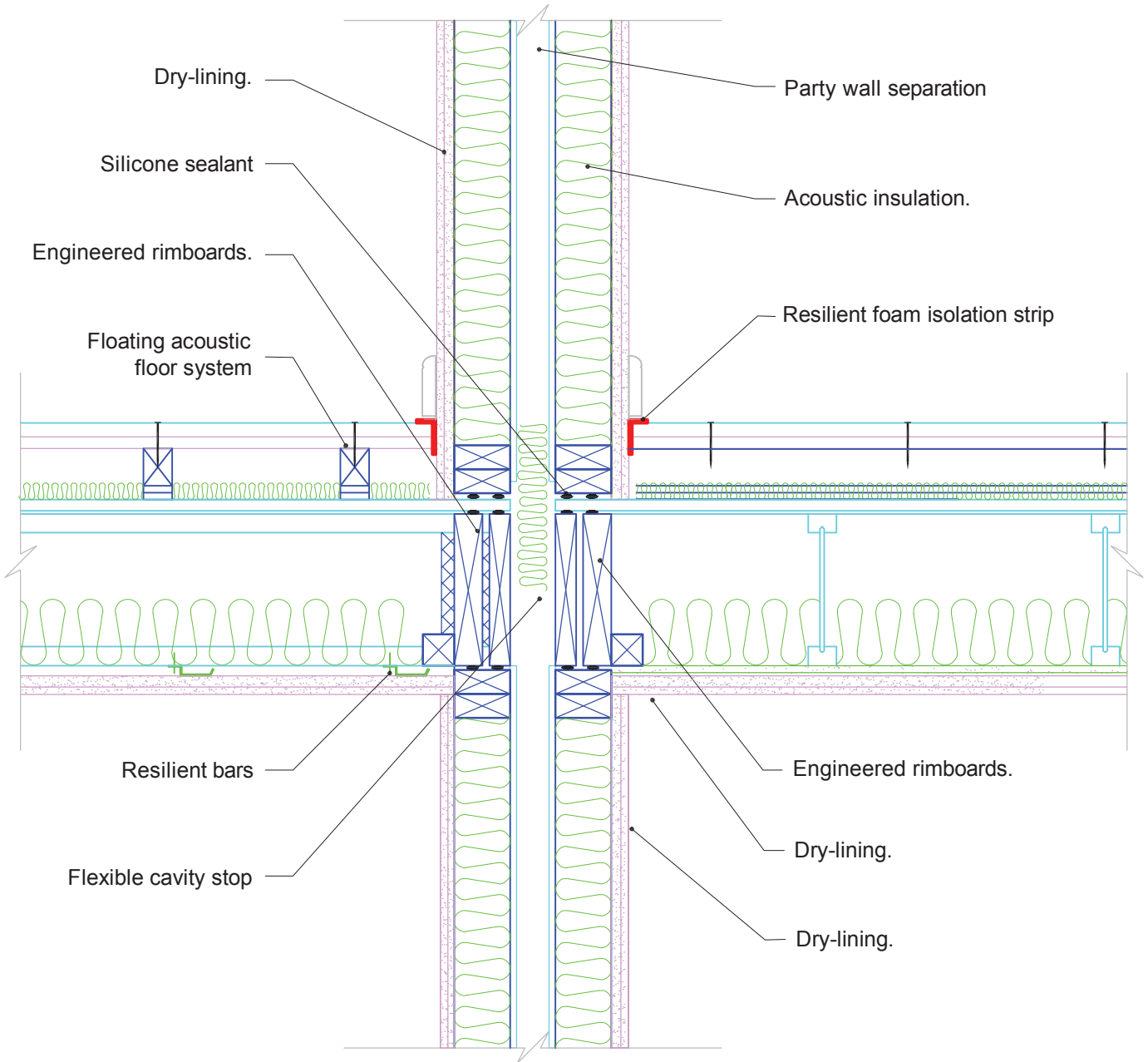
Description:

Timber frame party wall to
partition wall typical junction
detail -

(plan view)

| | |
|--------|----------|
| Scale: | NTS |
| Date: | 17/03/08 |
| Drawn: | W.M |

| | |
|-------------|---|
| Drawing No: |  |
| | |
| | |



Off-Site

P.O. Box 7454, Kiln Farm,
Milton Keynes, MK11 3AB
Telephone 01908 266 200
Fax 01908 266 120
www.kingspanoffsite.com

Description:

Timber frame party wall
separating floor junction

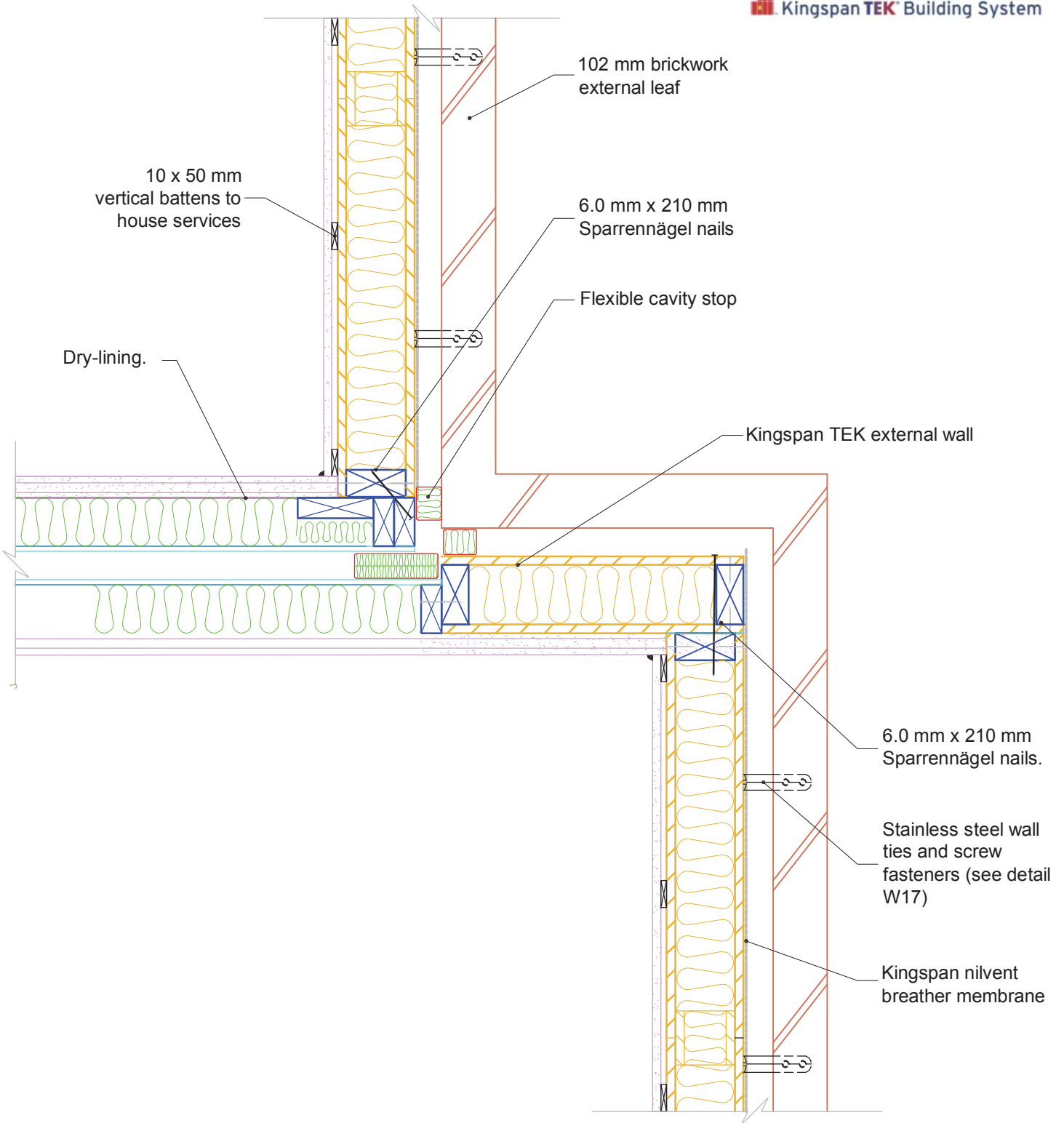
Scale: NTS

Date: 17/03/08

Drawn: W.M

Drawing No:





Note:

1. All joints/gaps to be sealed with tape or Gyproc acoustic sealant caulk.



P.O. Box 7454, Kiln Farm,
Milton Keynes, MK11 3AB
Telephone 01908 266 200
Fax 01908 266 120
www.kingspanoffsite.com

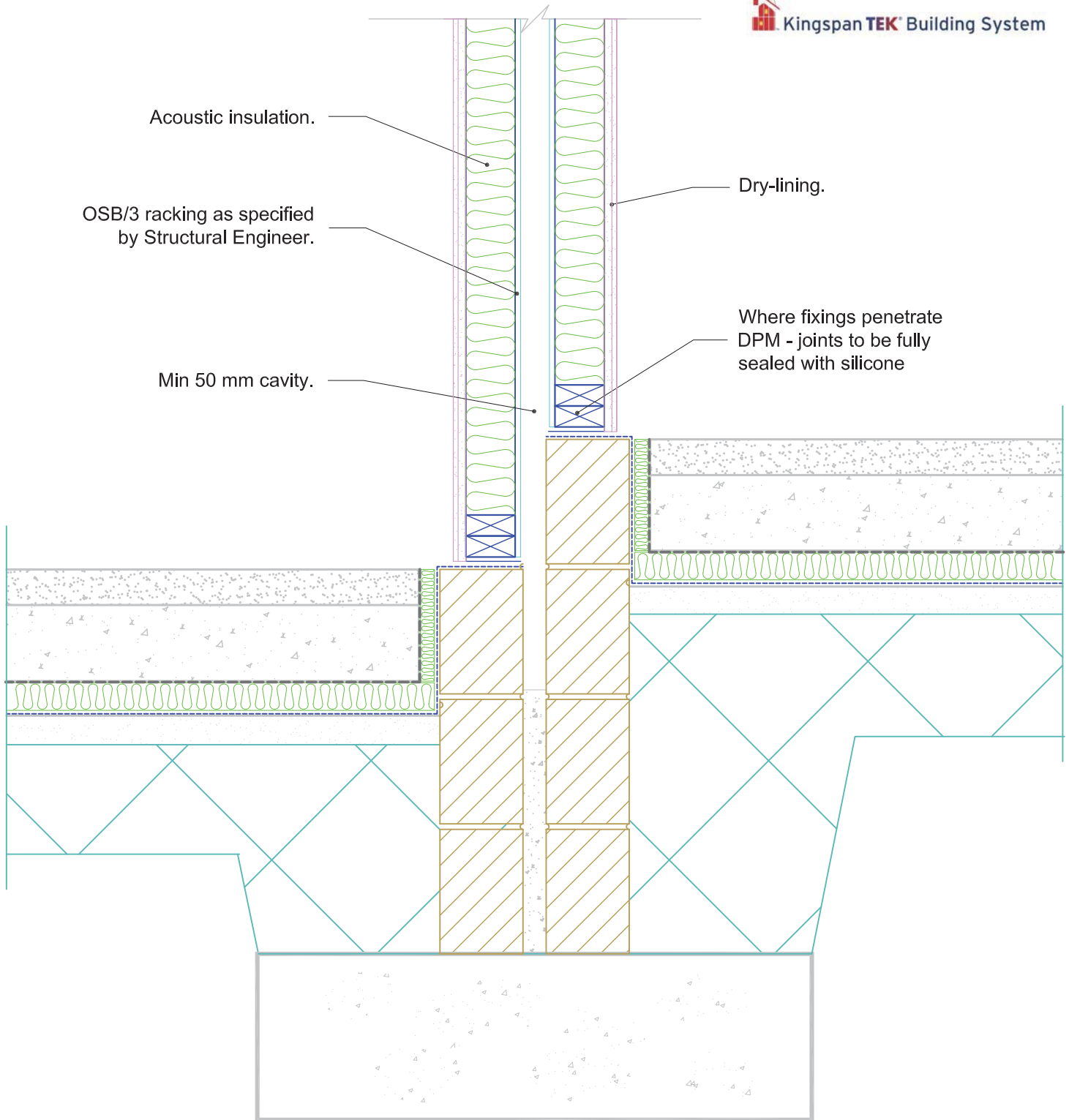
Description:

Timber frame party wall to external wall stepped junction - (Plan view)

Scale: NTS
Date: 17/03/08
Drawn: W.M

Drawing No:





Note:

1. All joints/gaps to be sealed with tape or Gyproc acoustic sealant caulk.



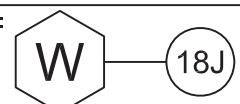
P.O. Box 7454, Kiln Farm,
Milton Keynes, MK11 3AB
Telephone 01908 266 200
Fax 01908 266 120
www.kingspanoffsite.com

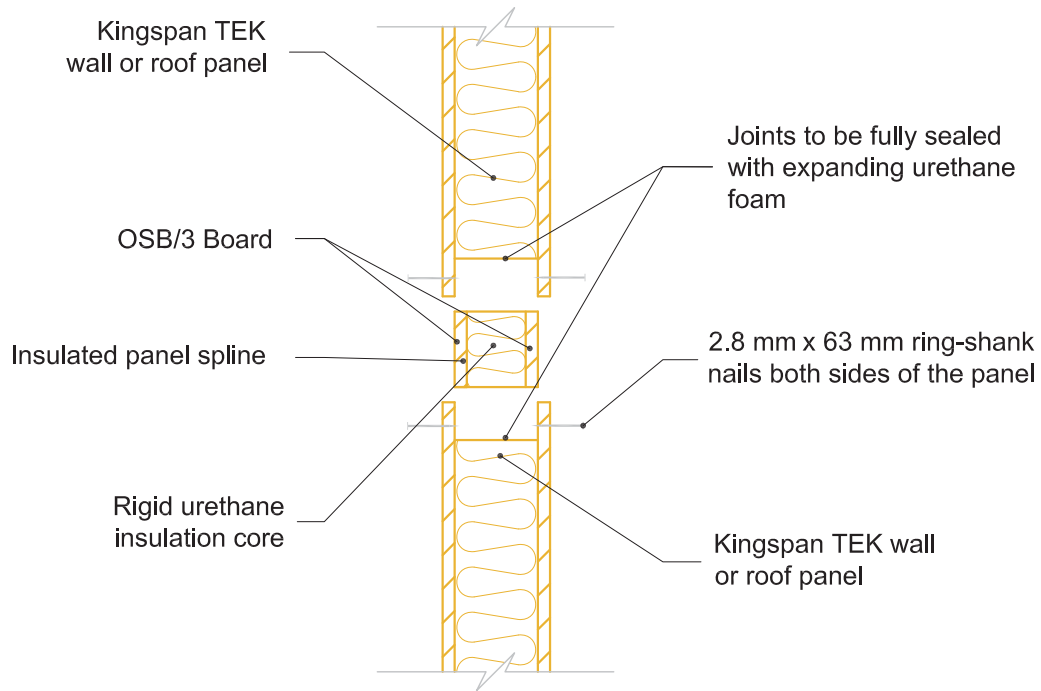
Description:

**Timber frame party wall -
stepped ground floor slab
junction**

Scale: NTS
Date: 17/03/08
Drawn: W.M

Drawing No:





P.O. Box 7454, Kiln Farm,
Milton Keynes, MK11 3AB
Telephone 01908 266 200
Fax 01908 266 120
www.kingspanoffsite.com

Description:

Insulated panel spline -
(Plan view)

Scale: 1:10@A4

Date: 17/03/08

Drawn: W.M

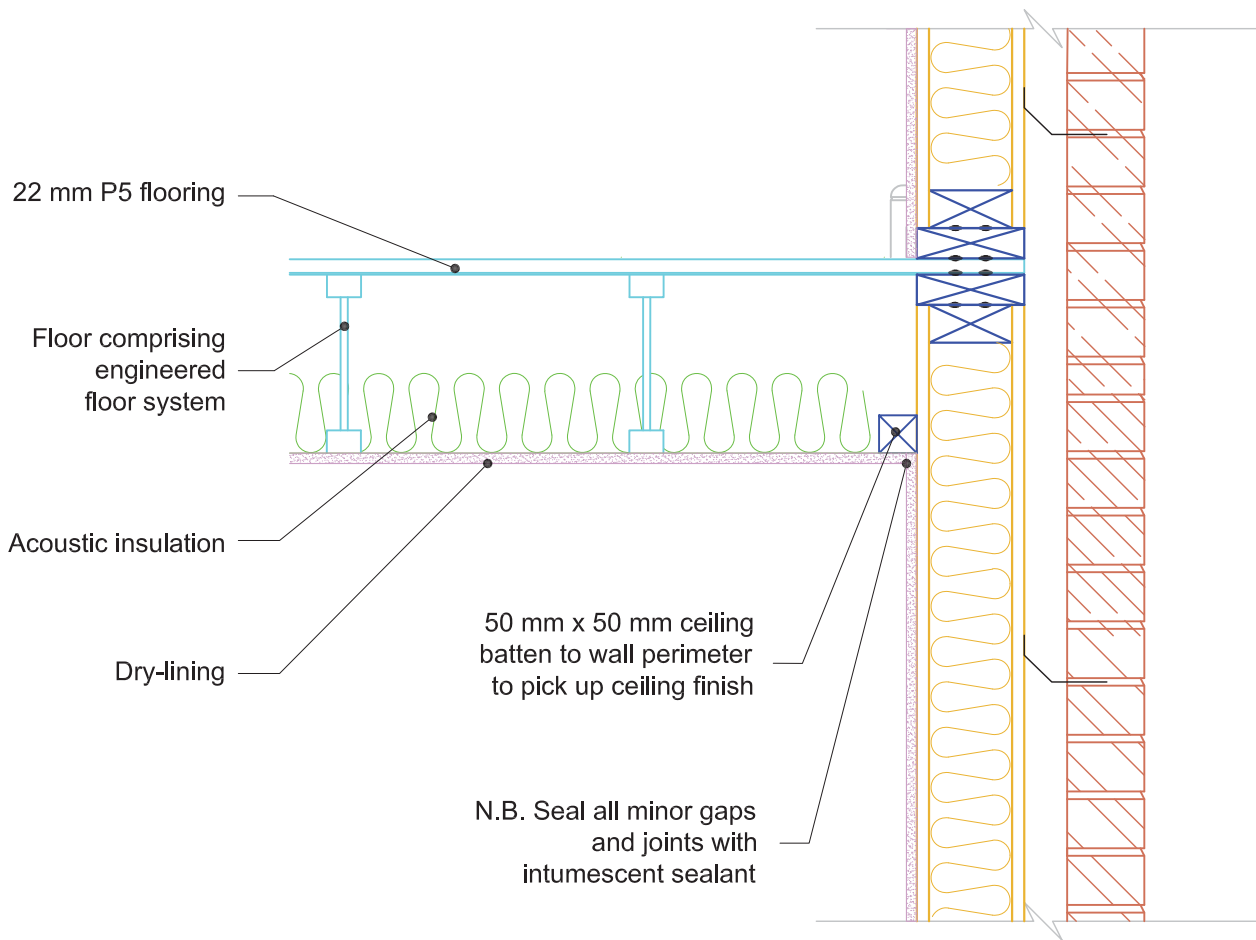
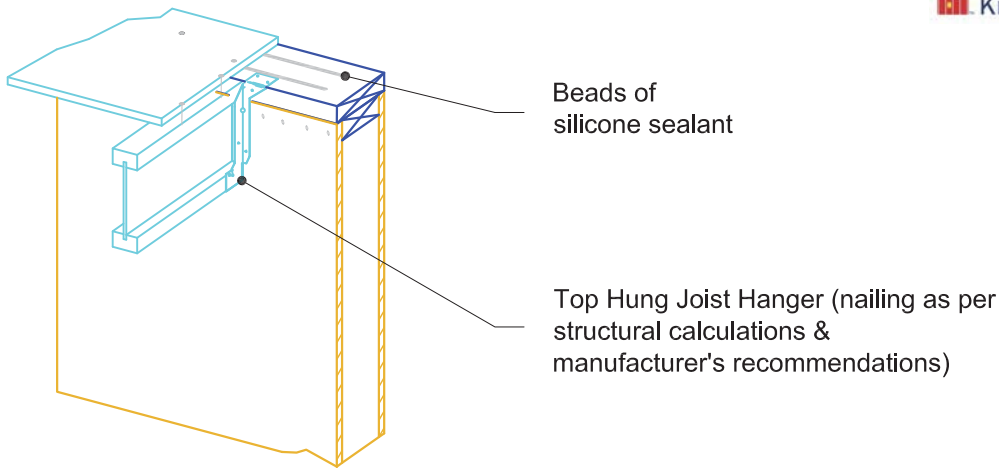
Drawing No:



19



Kingspan **TEK**® Building System



Off-Site

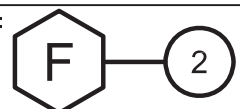
P.O. Box 7454, Kiln Farm,
Milton Keynes, MK11 3AB
Telephone 01908 266 200
Fax 01908 266 120
www.kingspanoffsite.com

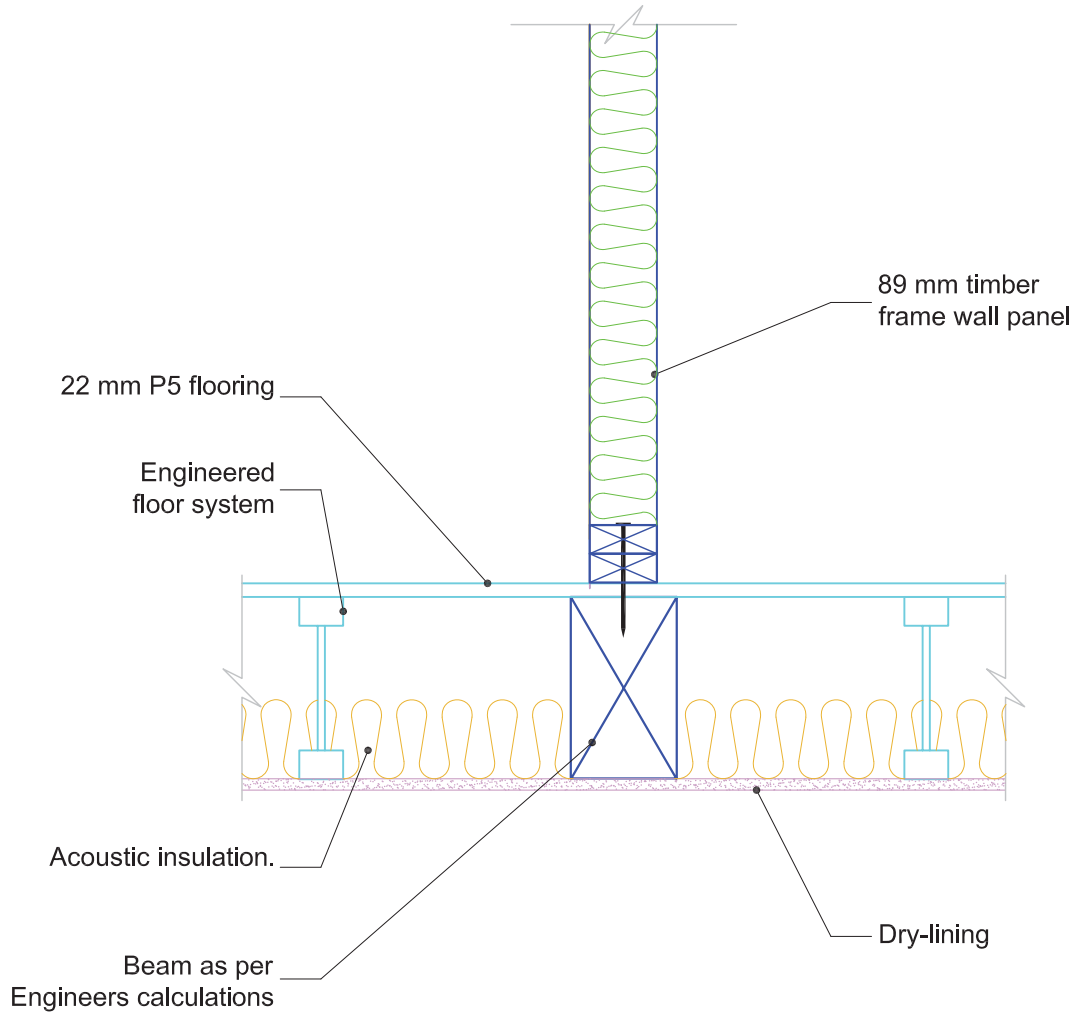
Description:

Alternative connection detail for engineered I-joist floor system

Scale: NTS
Date: 21/04/08
Drawn: W.M

Drawing No:





P.O. Box 7454, Kiln Farm,
Milton Keynes, MK11 3AB
Telephone 01908 266 200
Fax 01908 266 120
www.kingspanoffsite.com

Description:

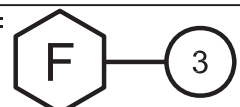
Internal load bearing floor detail

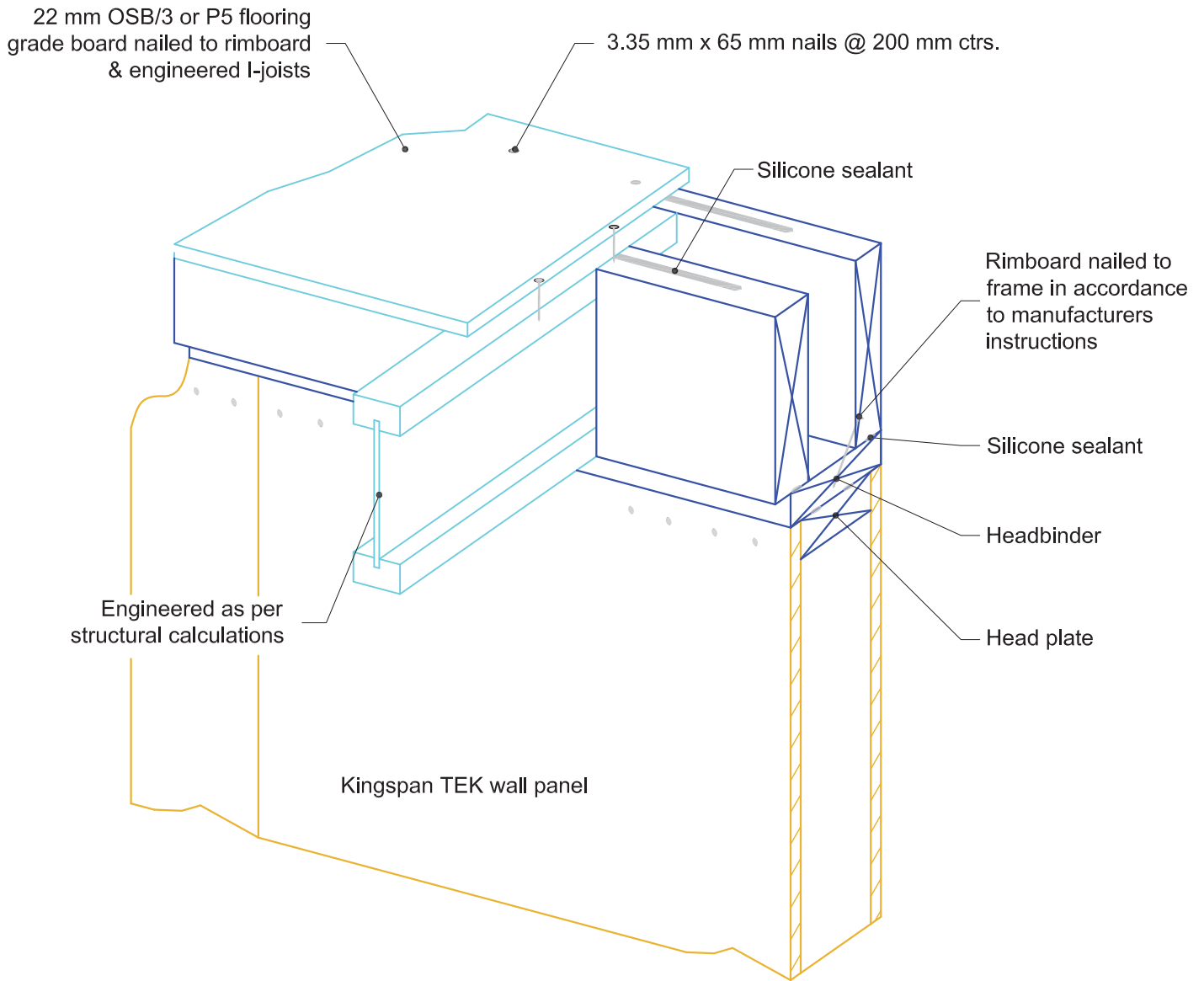
Scale: NTS

Date: 21/04/08

Drawn: W.M

Drawing No:





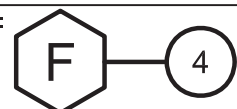
P.O. Box 7454, Kiln Farm,
Milton Keynes, MK11 3AB
Telephone 01908 266 200
Fax 01908 266 120
www.kingspanoffsite.com

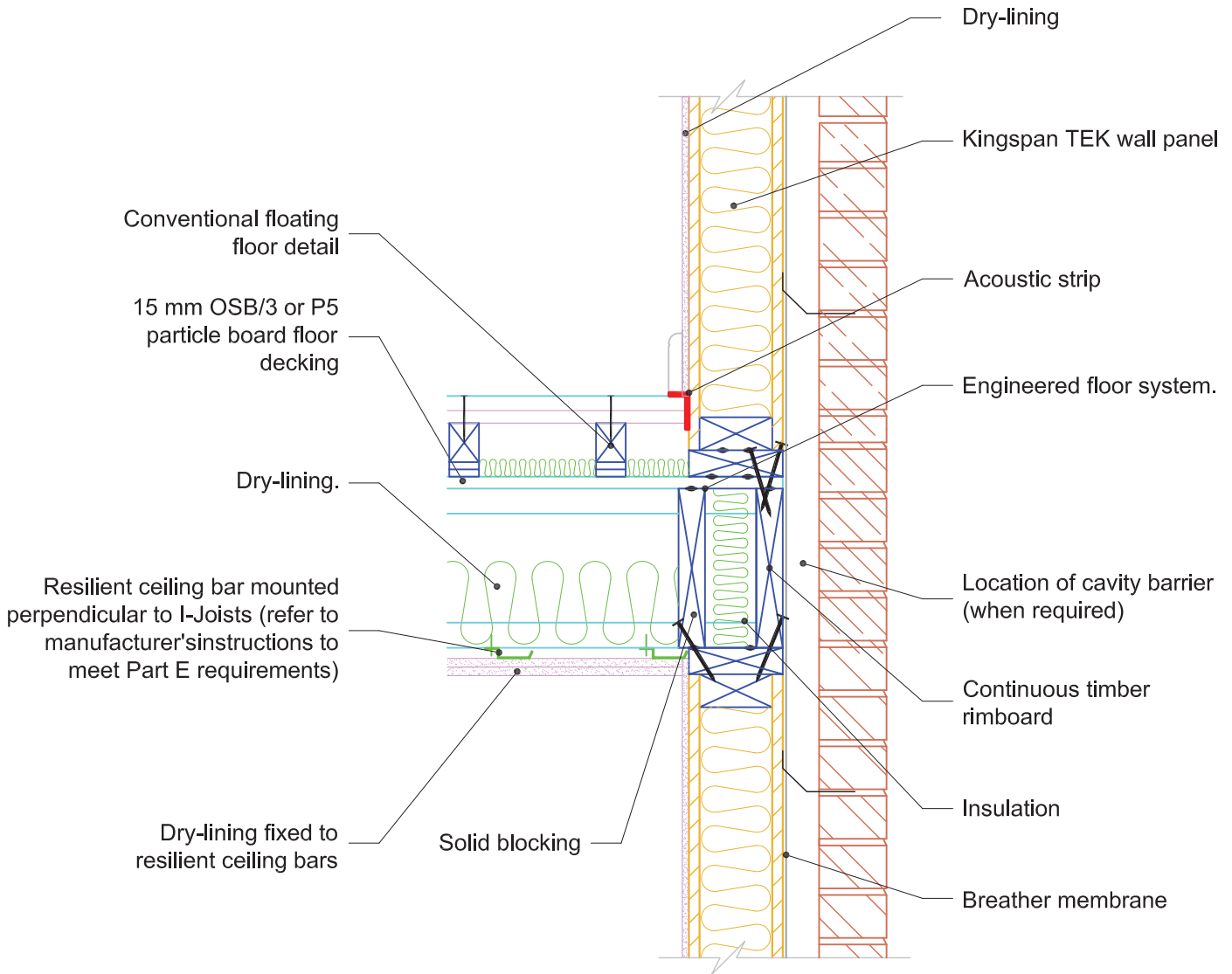
Description:

Typical I-joist panel
connection detail fixed to
rimboard

Scale: NTS
Date: 21/04/08
Drawn: W.M

Drawing No:





P.O. Box 7454, Kiln Farm,
Milton Keynes, MK11 3AB
Telephone 01908 266 200
Fax 01908 266 120
www.kingspanoffsite.com

Description:

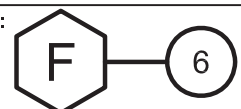
Typical section through -
platform frame external junction

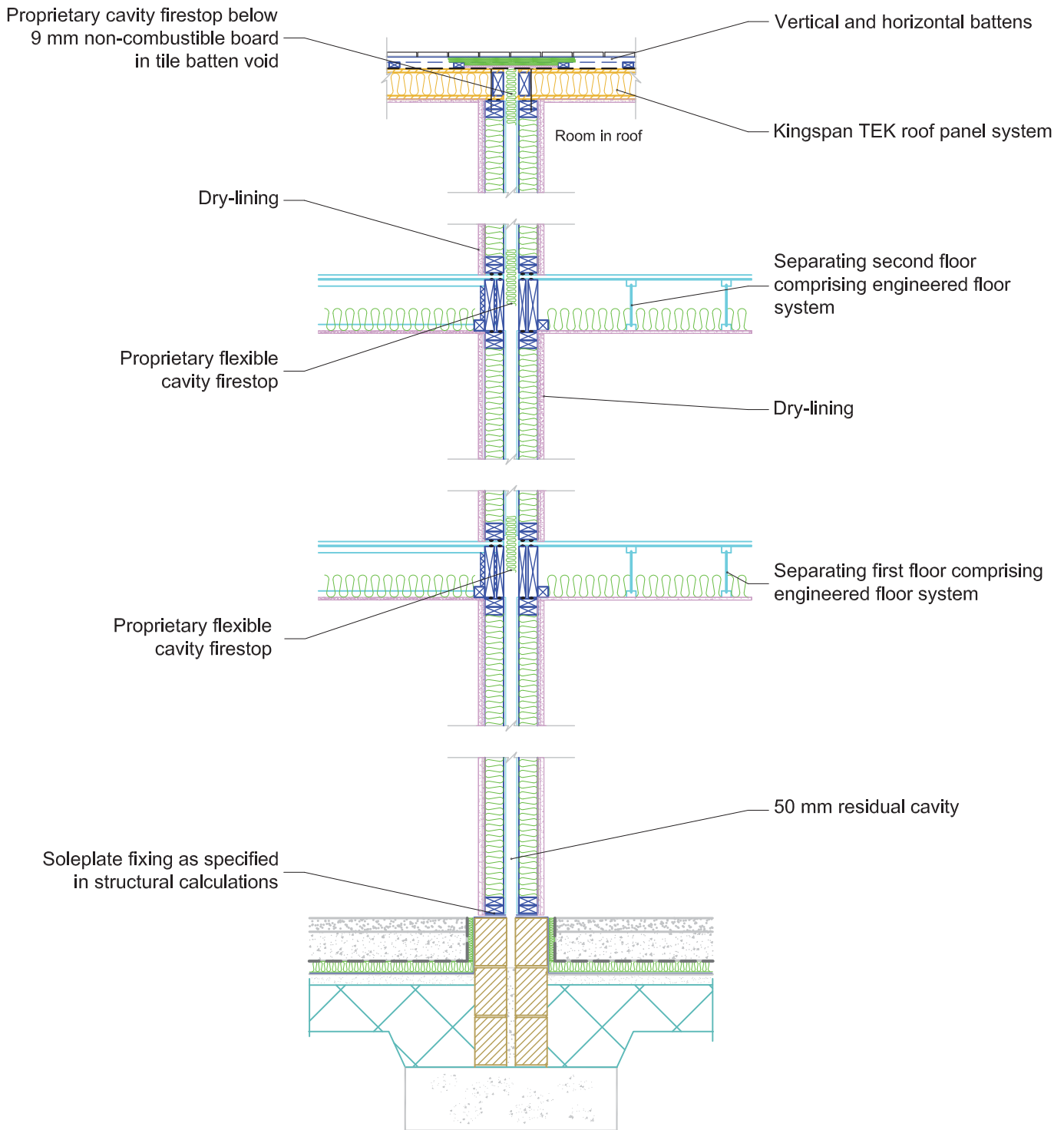
Scale: NTS


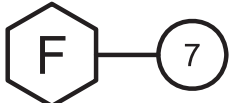
Date: 21/04/08

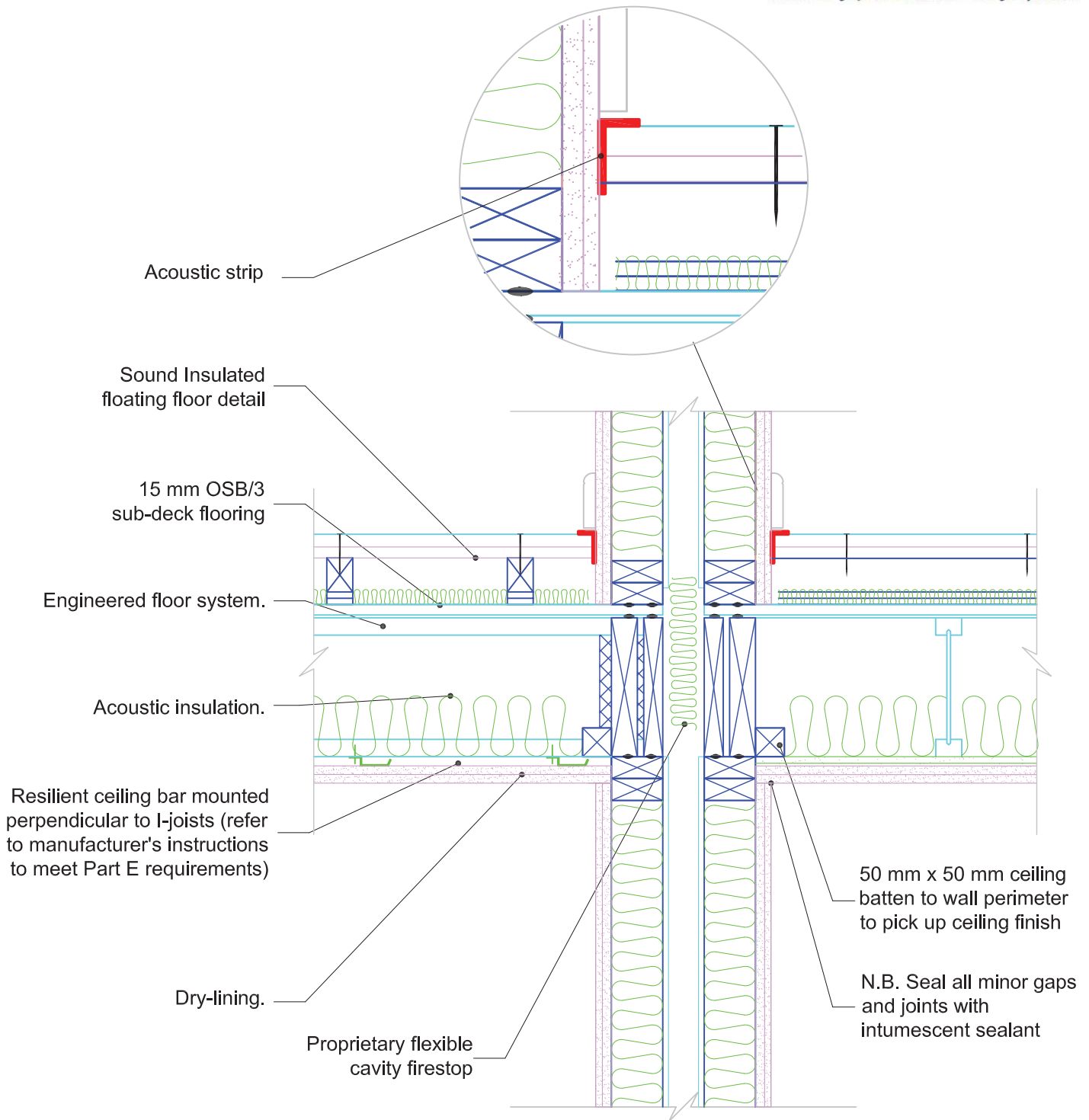
Drawn: W.M

Drawing No:





| | | |
|--|---|-------------|
|  <p>Kingspan Off-Site</p> <p>P.O. Box 7454, Kiln Farm, Milton Keynes, MK11 3AB Telephone 01908 266 200 Fax 01908 266 120 www.kingspanoffsite.com</p> | Description: | |
| | Section through typical separating wall & floor assemblies - | |
| | incorporating room in roof | |
| | Scale: NTS | Drawing No: |
| Date: 21/04/08 |  | |
| Drawn: W.M | | |



Off-Site

P.O. Box 7454, Kiln Farm,
Milton Keynes, MK11 3AB
Telephone 01908 266 200
Fax 01908 266 120
www.kingspanoffsite.com

Description:

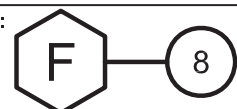
Section through typical separating wall & floor assemblies.

Scale: NTS

Date: 21/04/08

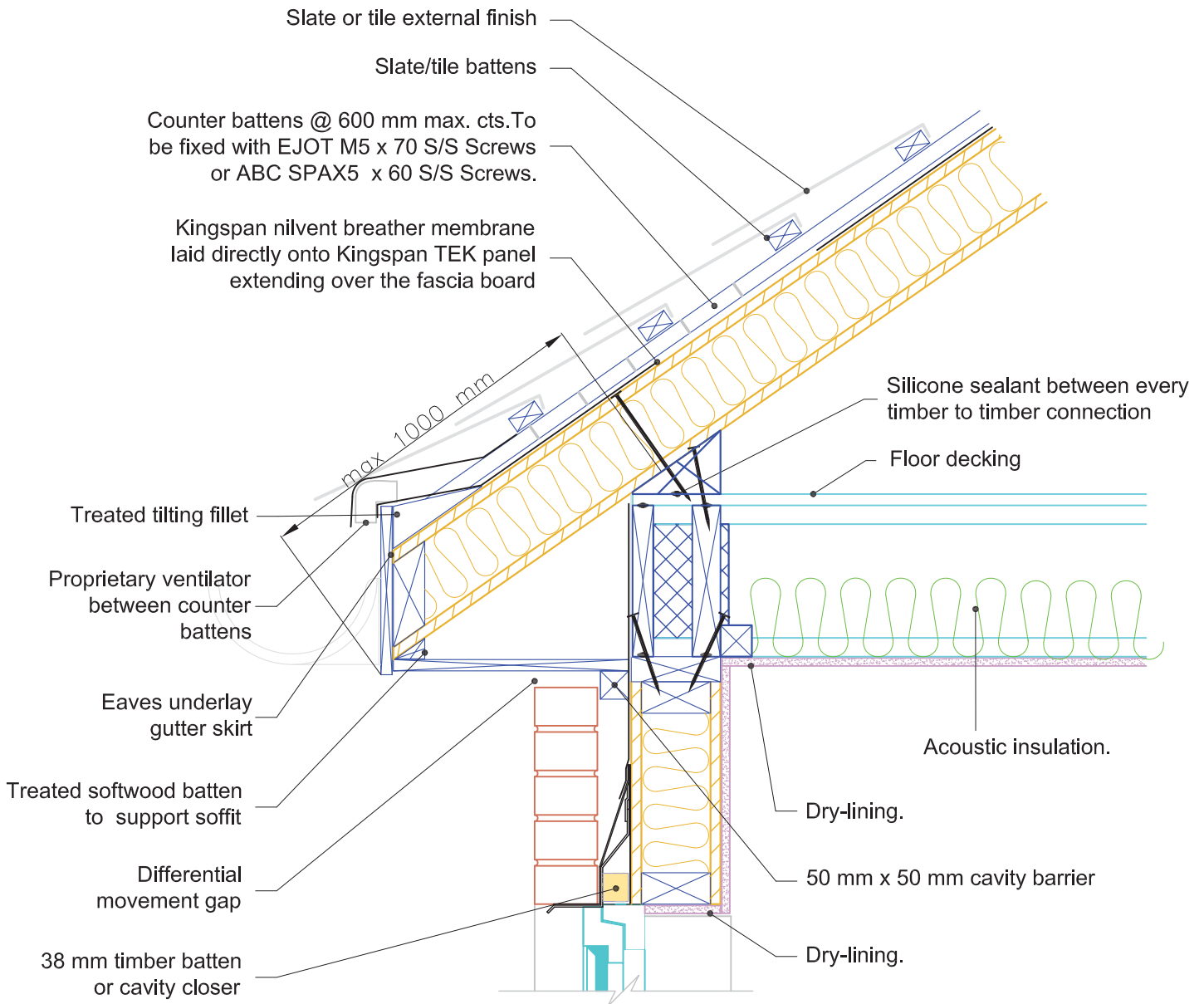
Drawn: W.M

Drawing No:





Kingspan **TEK**® Building System



P.O. Box 7454, Kiln Farm,
Milton Keynes, MK11 3AB
Telephone 01908 266 200
Fax 01908 266 120
www.kingspanoffsite.com

Description:

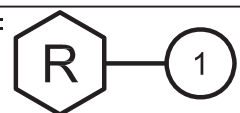
Typical eaves detail vertical section

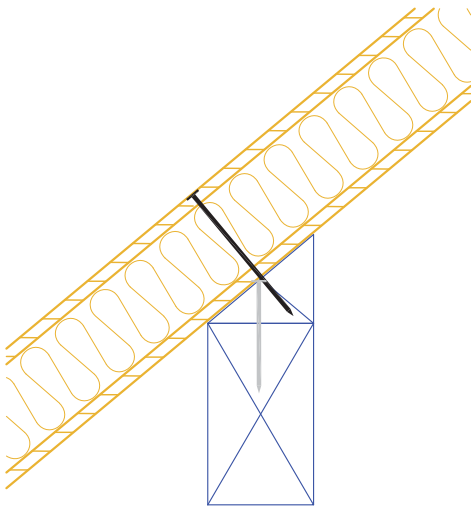
Scale: NTS

Date: 21/04/08

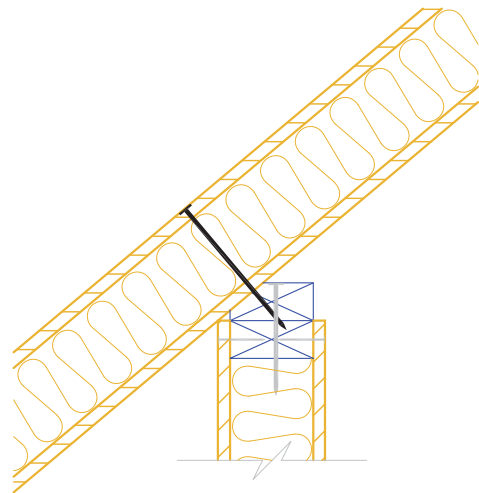
Drawn: W.M

Drawing No:

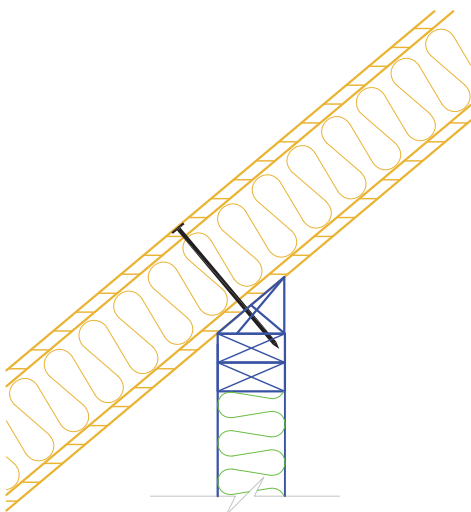




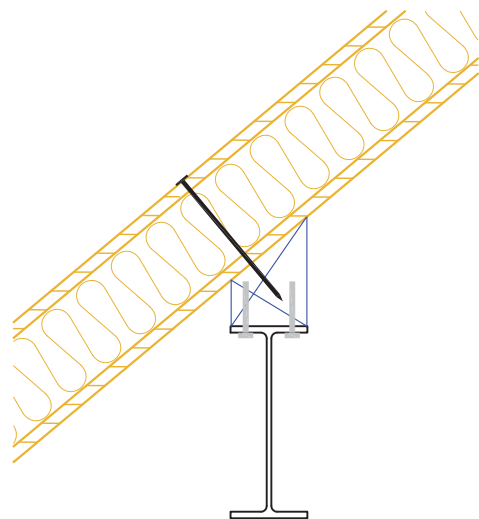
Purlin connection



Dwarf wall connection.



Timberframe wall connection.



Steel purlin connection.



P.O. Box 7454, Kiln Farm,
Milton Keynes, MK11 3AB
Telephone 01908 266 200
Fax 01908 266 120
www.kingspanoffsite.com

Description:

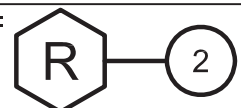
Internal roof support
details at 40° pitch

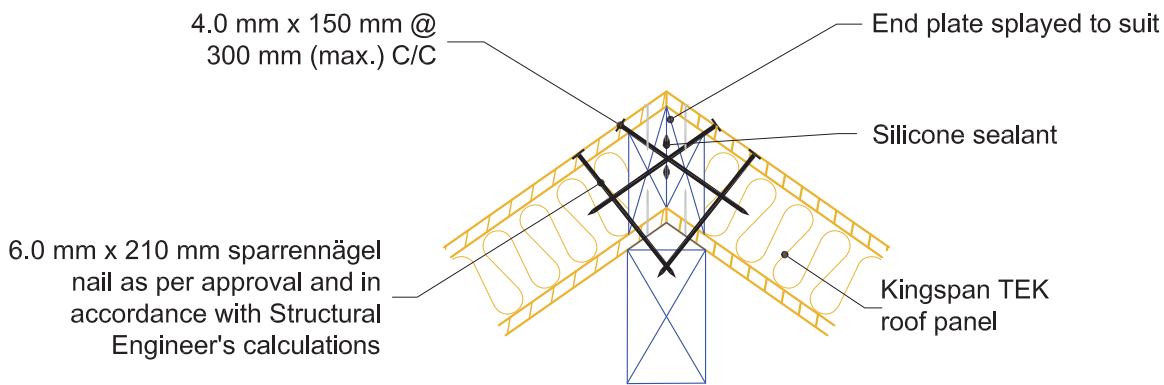
Scale: NTS

Date: 21/04/08


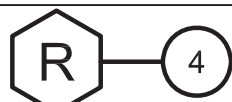
Drawn: W.M

Drawing No:

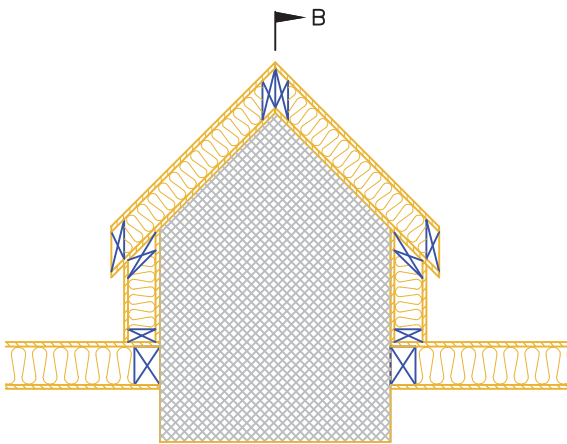
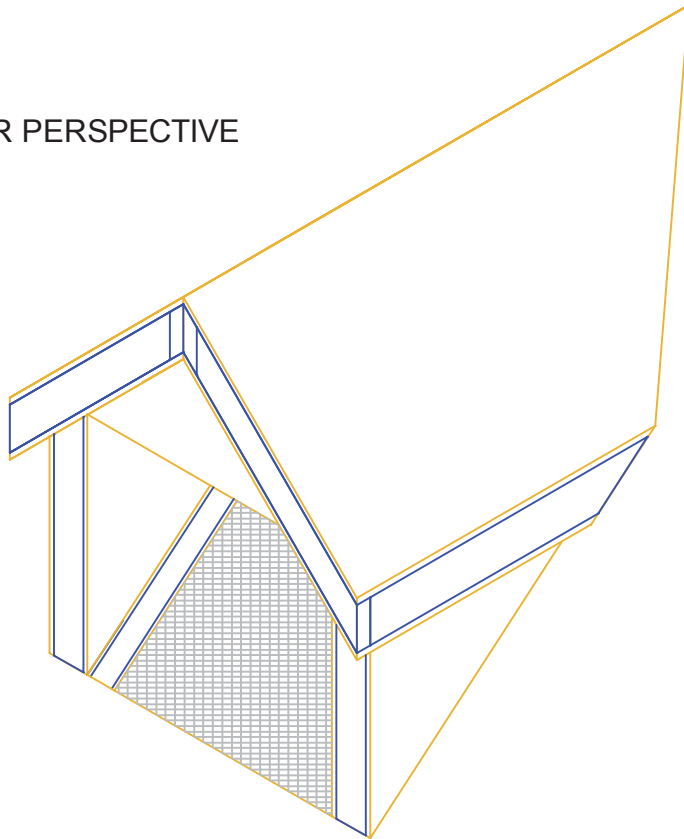




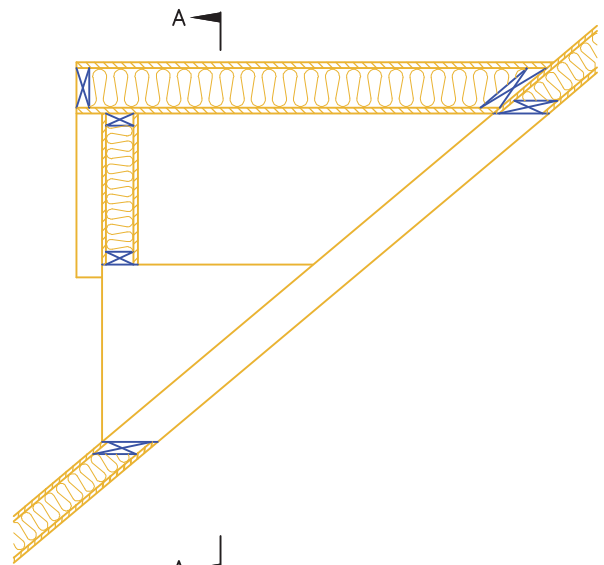
Mitred ridge with support

| | | |
|---|---|---|
|  <p>Kingspan Off-Site</p> <p>P.O. Box 7454, Kiln Farm, Milton Keynes, MK11 3AB Telephone 01908 266 200 Fax 01908 266 120 www.kingspanoffsite.com</p> | Description: | |
| | <h2>Typical ridge connection details</h2> | |
| | Scale: NTS | Drawing No:  |
| | Date: 21/04/08 | |
| Drawn: W.M | | |

DORMER PERSPECTIVE



SECTION B-B



SECTION A-A



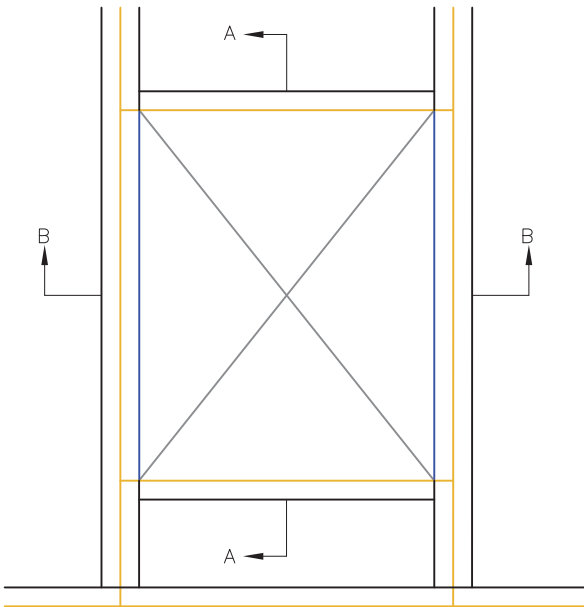
P.O. Box 7454, Kiln Farm,
Milton Keynes, MK11 3AB
Telephone 01908 266 200
Fax 01908 266 120
www.kingspanoffsite.com

Description:

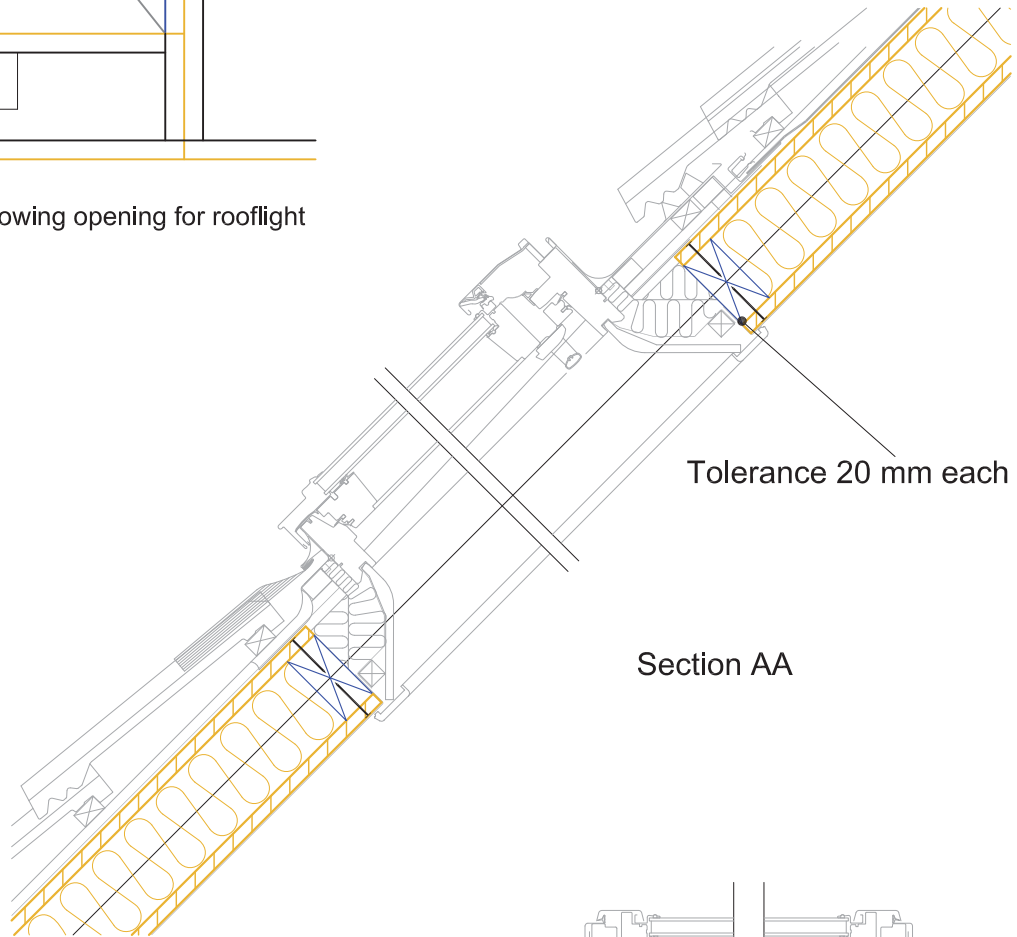
Room in roof -
dormer perspective &
section detail

| | |
|--------|----------|
| Scale: | NTS |
| Date: | 21/04/08 |
| Drawn: | W.M |

| | |
|-------------|--|
| Drawing No: | |
|-------------|--|

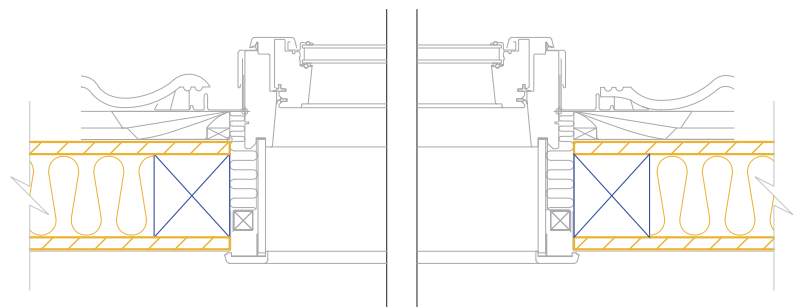


Panel elevation showing opening for rooflight



Tolerance 20 mm each edge

Section AA



Section BB



P.O. Box 7454, Kiln Farm,
Milton Keynes, MK11 3AB
Telephone 01908 266 200
Fax 01908 266 120
www.kingspanoffsite.com

Description:

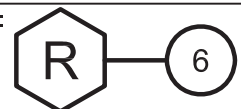
Typical roof opening detail

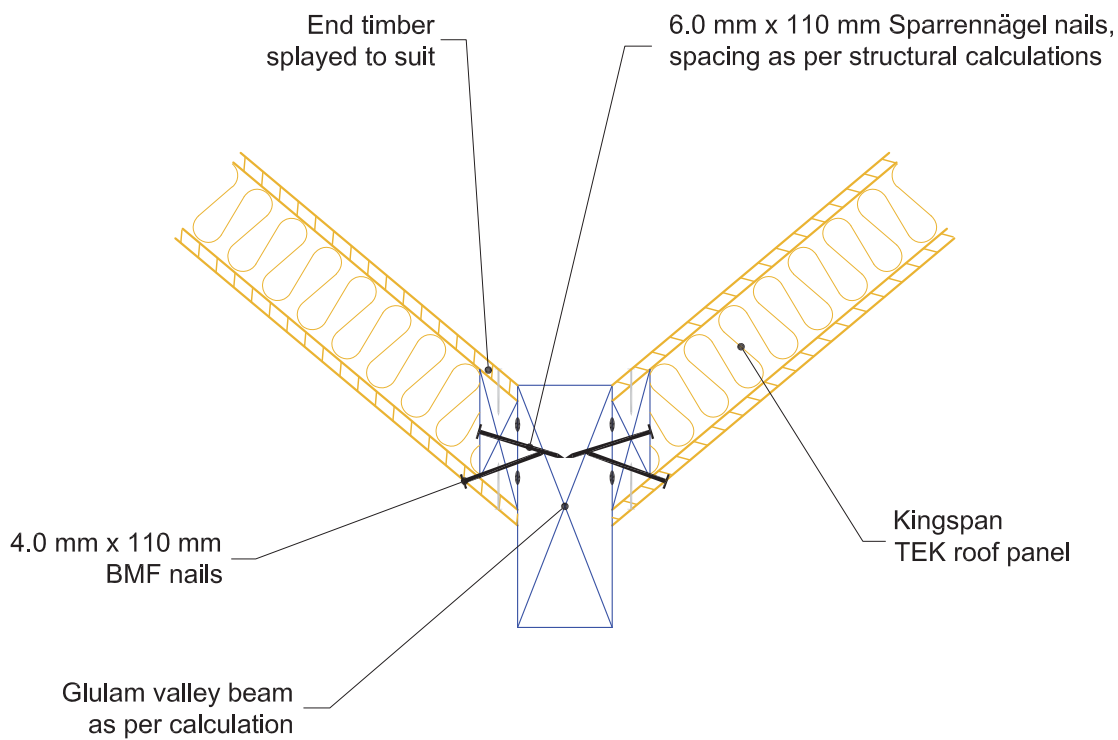
Scale: NTS

Date: 21/04/08

Drawn: W.M

Drawing No:





P.O. Box 7454, Kiln Farm,
Milton Keynes, MK11 3AB
Telephone 01908 266 200
Fax 01908 266 120
www.kingspanoffsite.com

Description:

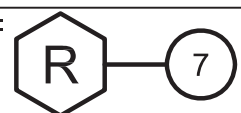
Typical valley detail showing -
roof panels connected to
valley rafter

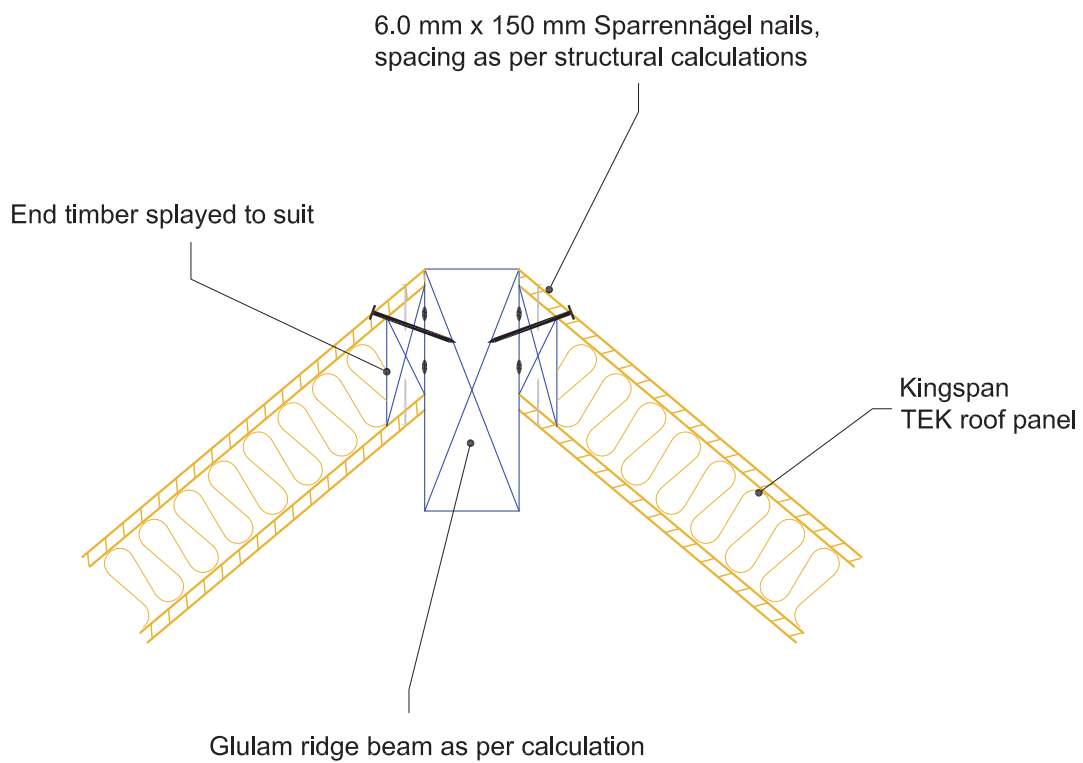
Scale: NTS

Date: 21/04/08

Drawn: W.M

Drawing No:





P.O. Box 7454, Kiln Farm,
Milton Keynes, MK11 3AB
Telephone 01908 266 200
Fax 01908 266 120
www.kingspanoffsite.com

Description:

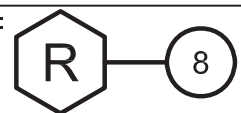
Typical hip detail showing -
roof panels connected to
hip rafter

Scale: NTS

Date: 21/04/08

Drawn: W.M

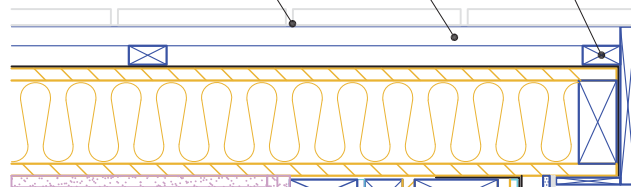
Drawing No:



Counter Battens @ 600 mm max. c/c's.
Battens to be fixed using EJOT M5 x 70
s/s screws or ABC SPAX 5 x 60 s/s screws.

Slate/tile battens.

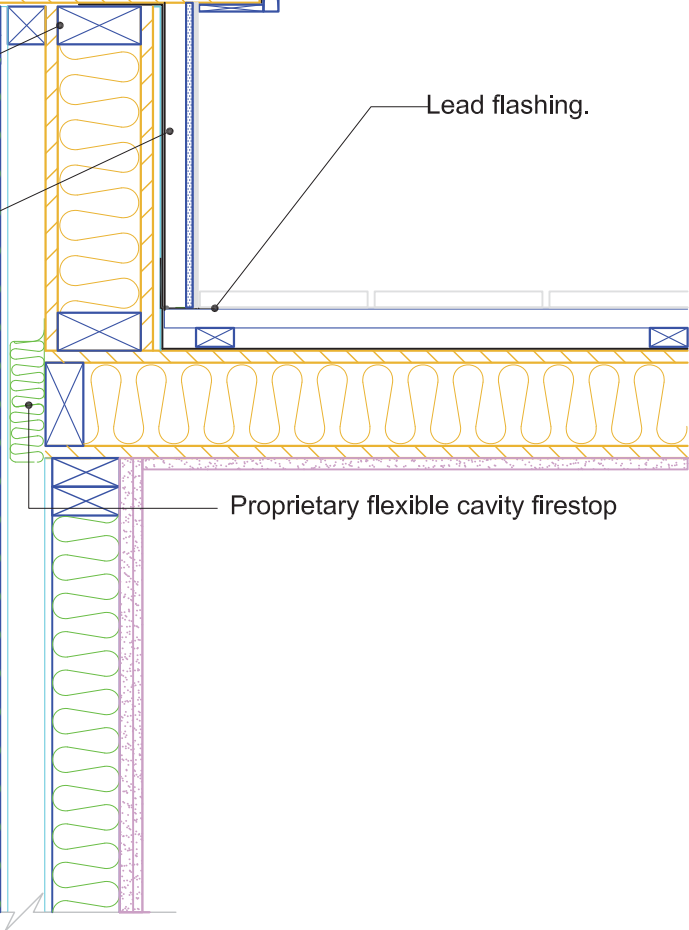
Slate or tile external finish



50 mm x 50 mm
cavity closer & fire stop

Lead flashing.

Vertical counter battens @
600 mm max. ctrs. providing
drained & vented cavity



Proprietary flexible cavity firestop



P.O. Box 7454, Kiln Farm,
Milton Keynes, MK11 3AB
Telephone 01908 266 200
Fax 01908 266 120
www.kingspanoffsite.com

Description:

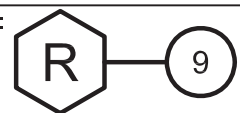
Roof to roof -
change in level detail

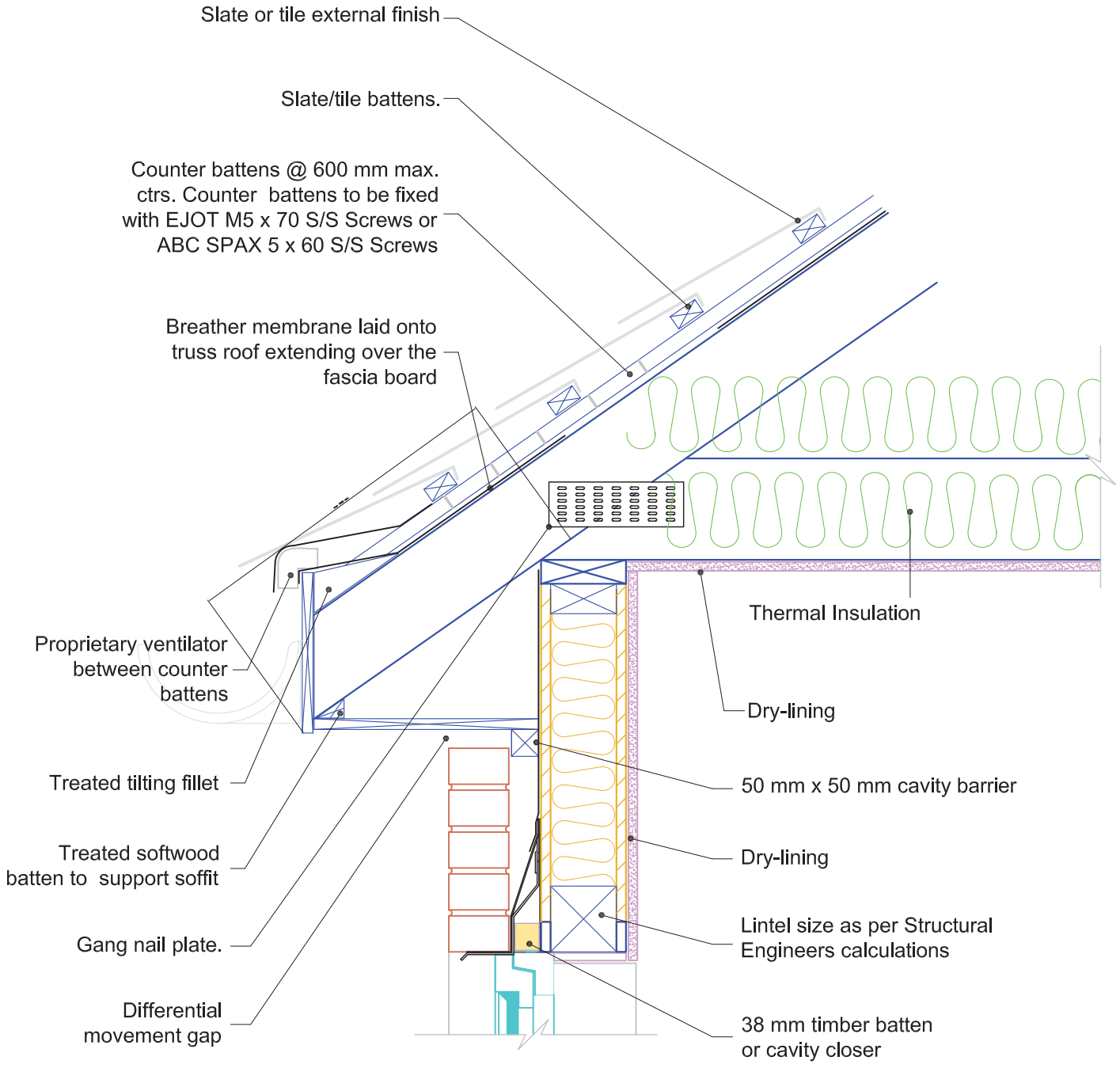
Scale: NTS

Date: 21/04/08

Drawn: W.M

Drawing No:





P.O. Box 7454, Kiln Farm,
Milton Keynes, MK11 3AB
Telephone 01908 266 200
Fax 01908 266 120
www.kingspanoffsite.com

Description:

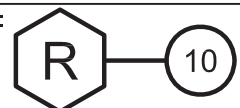
Typical eaves detail vertical section

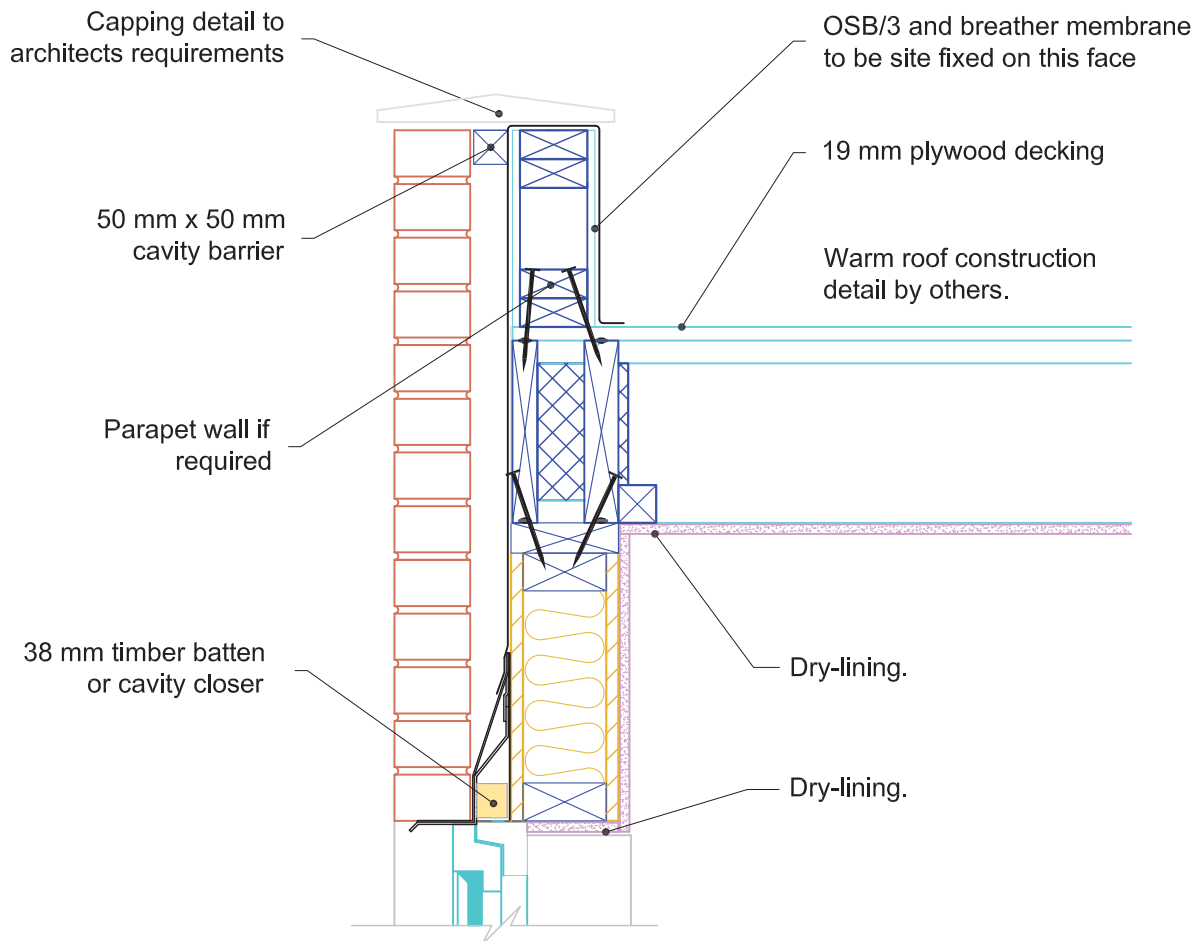
Scale: NTS

Date: 21/04/08

Drawn: W.M

Drawing No:





P.O. Box 7454, Kiln Farm,
Milton Keynes, MK11 3AB
Telephone 01908 266 200
Fax 01908 266 120
www.kingspanoffsite.com

Description:

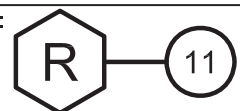
Typical flat roof / parapet wall
junction detail

Scale: NTS

Date: 28/04/08

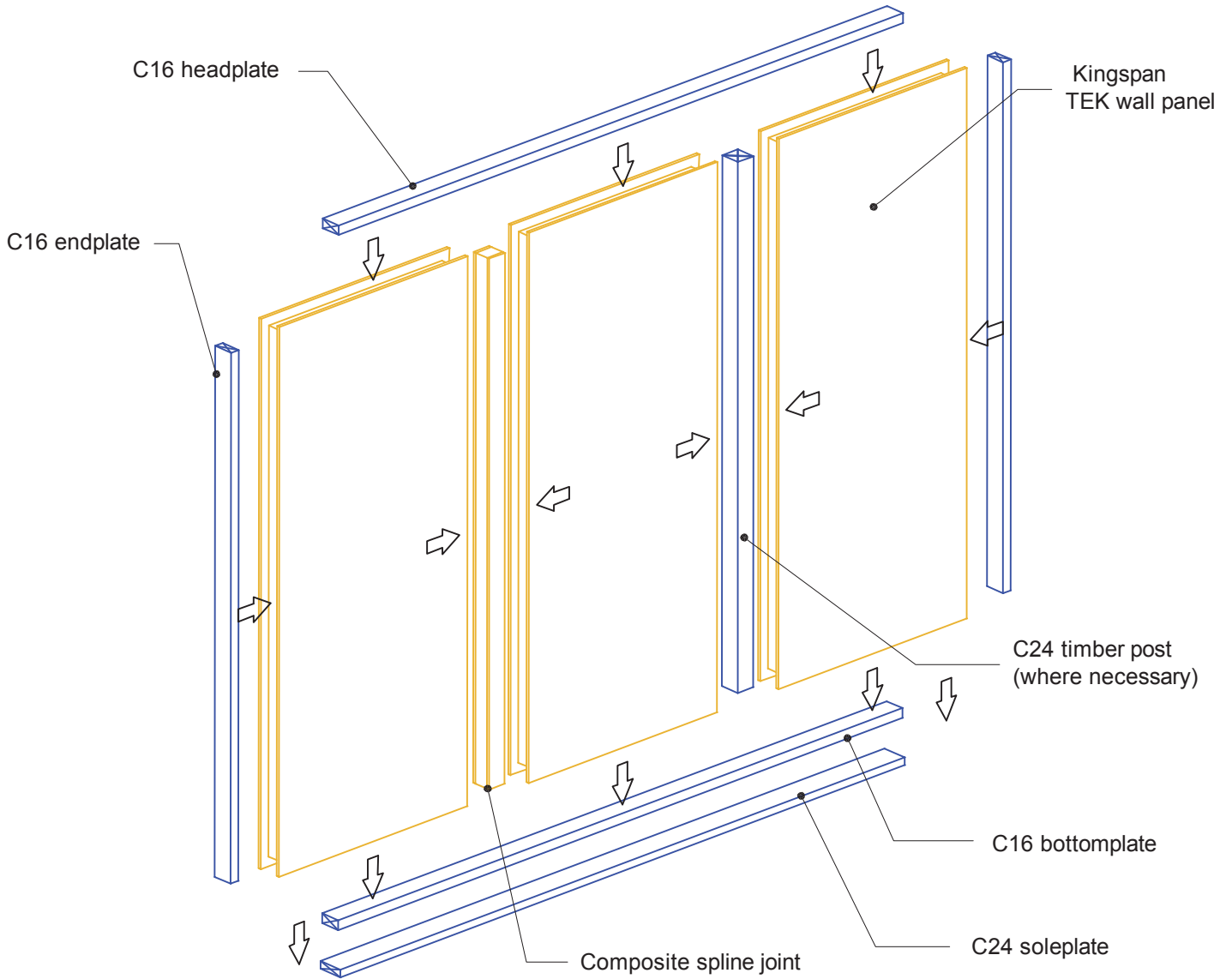
Drawn: W.M

Drawing No:

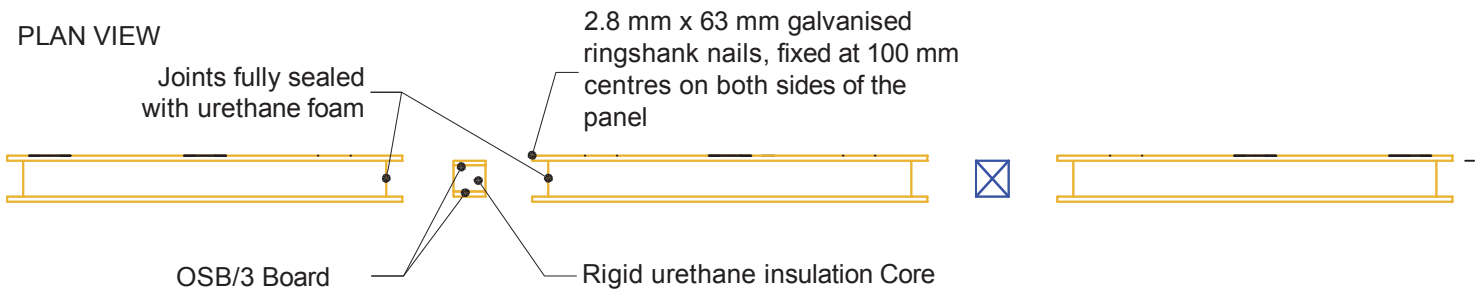




Kingspan **TEK**® Building System



PLAN VIEW



P.O. Box 7454, Kiln Farm,
Milton Keynes, MK11 3AB
Telephone 01908 266 200
Fax 01908 266 120
www.kingspanoffsite.com

Description:

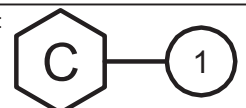
Typical panel joints for wall panels

Scale: NTS

Date: 21/04/08

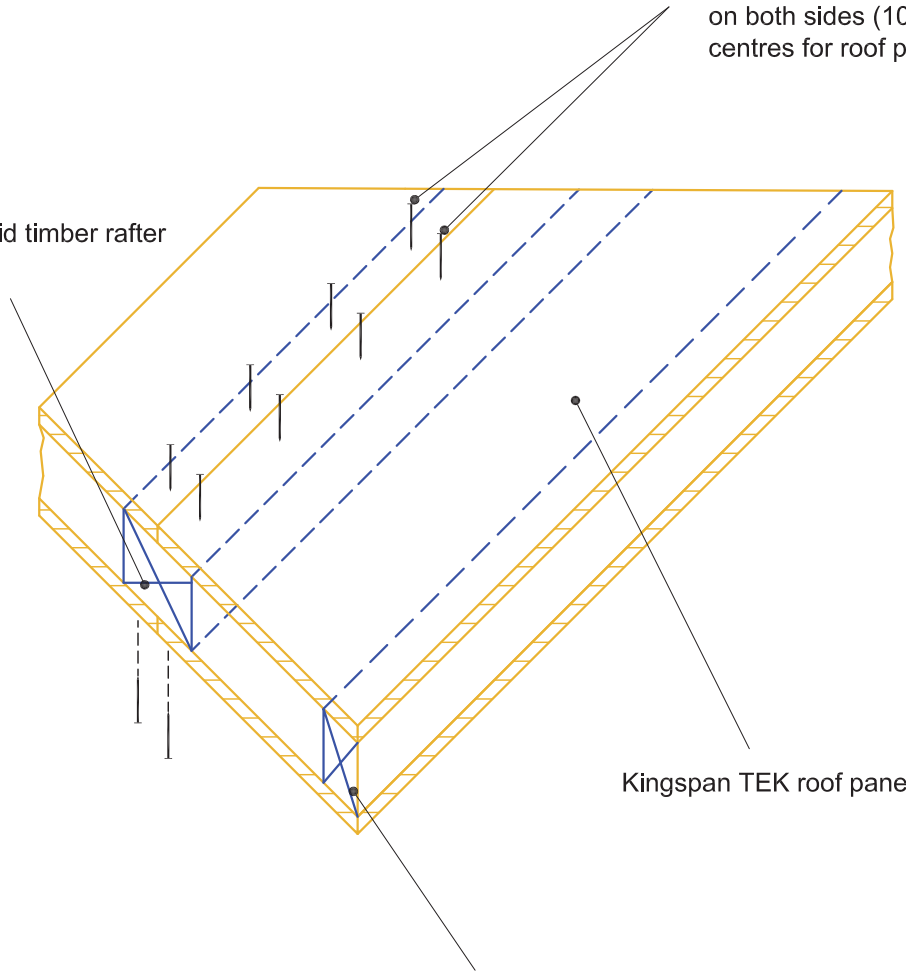
Drawn: W.M

Drawing No:



2.8 mm x 63 mm galvanised ringshank nails, spacing as per engineer's recommendation on both sides (100 mm max. centres for roof panels)

C24 grade solid timber rafter



Kingspan TEK roof panel

C24 Edge timber



P.O. Box 7454, Kiln Farm,
Milton Keynes, MK11 3AB
Telephone 01908 266 200
Fax 01908 266 120
www.kingspanoffsite.com

Description:

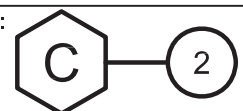
Typical post panel joints

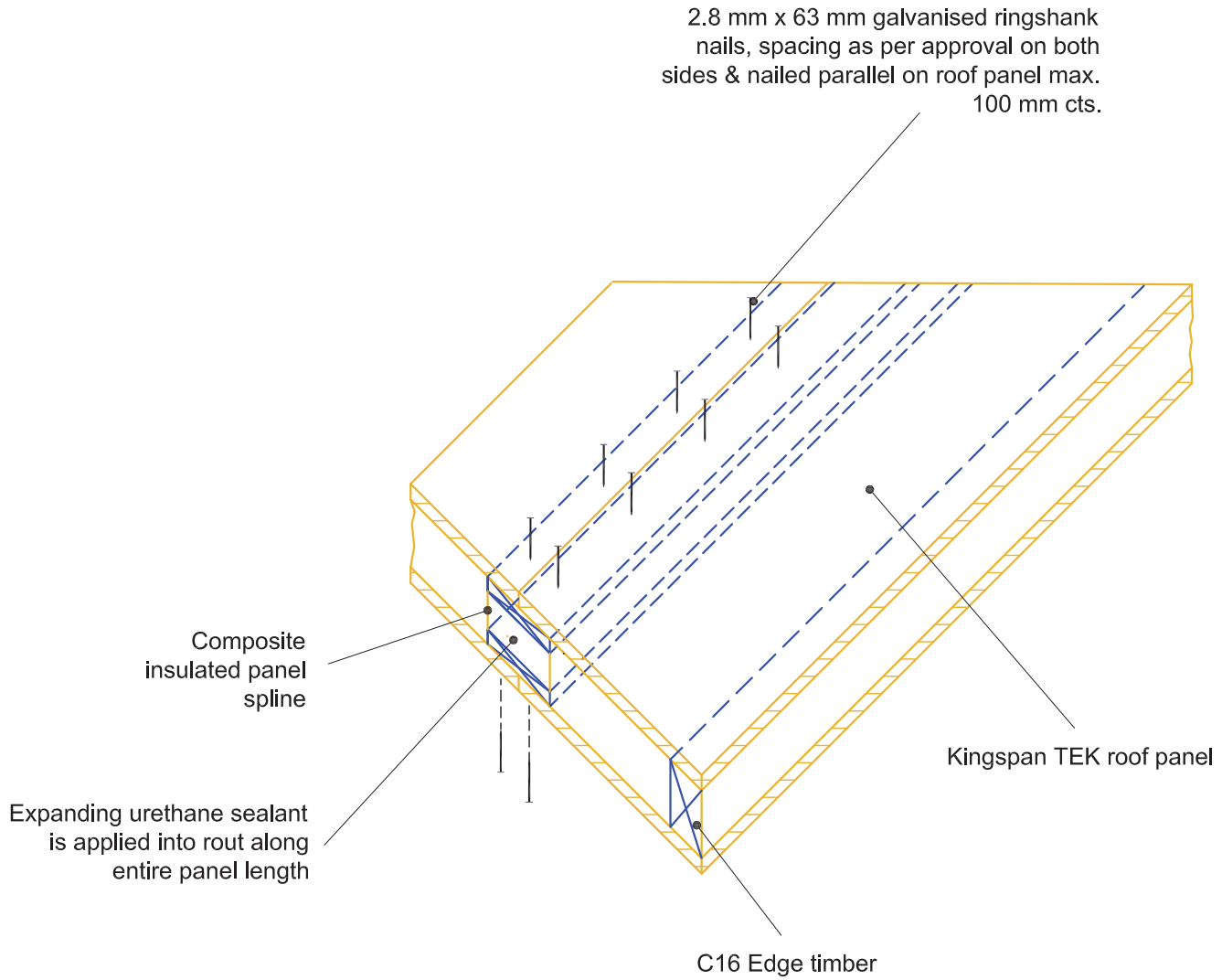
Scale: NTS

Date: 21/04/08

Drawn: W.M

Drawing No:





Description:

OSB3 spline panel joint



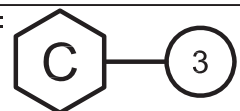
P.O. Box 7454, Kiln Farm,
Milton Keynes, MK11 3AB
Telephone 01908 266 200
Fax 01908 266 120
www.kingspanoffsite.com

Scale: NTS

Date: 21/04/08

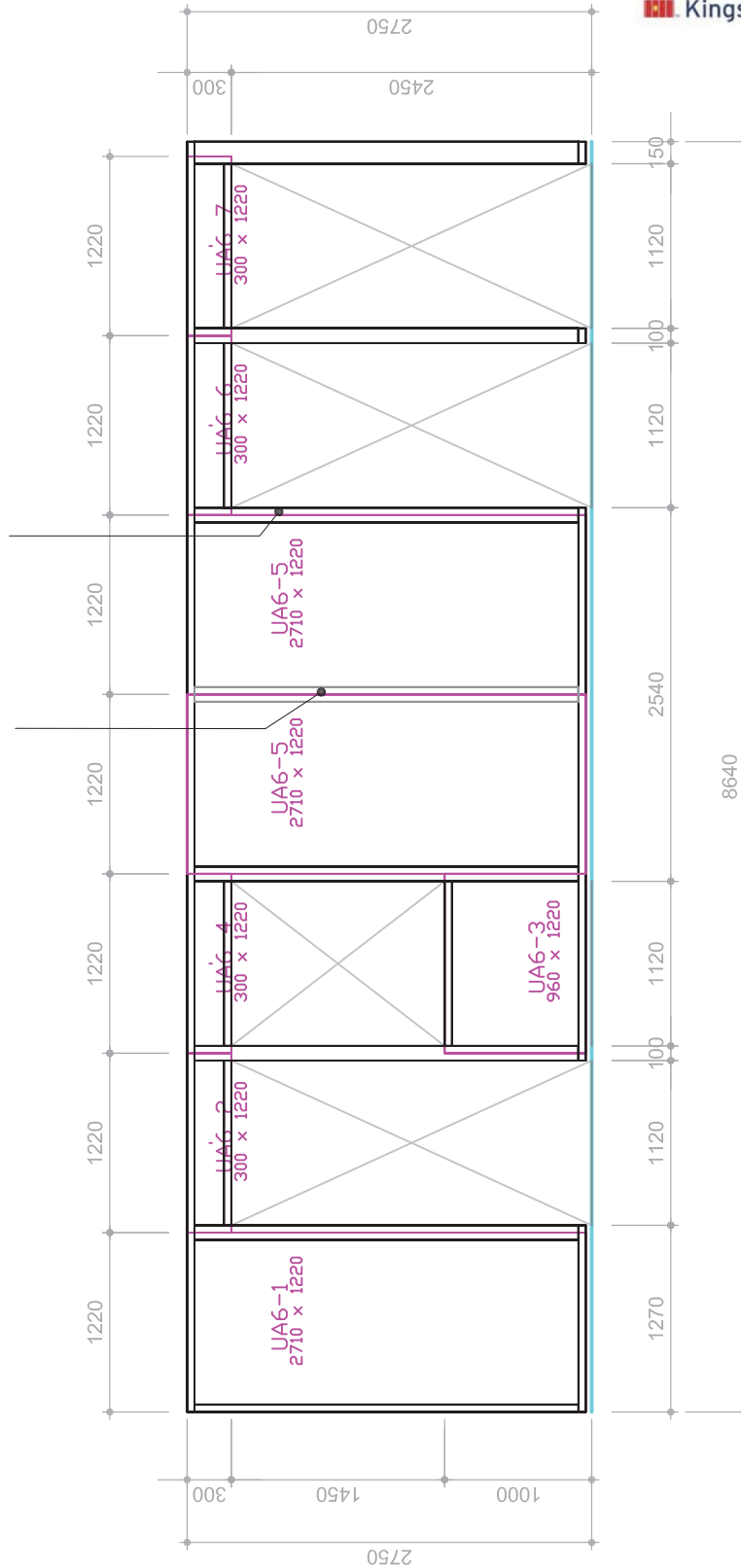
Drawn: W.M

Drawing No:



Broken line indicates a full
 rout 50 mm for Kingspan TEK 142
 40 mm for Kingspan TEK 125

Tongue & groove panel joint
 incorporating insulated panel splines



P.O. Box 7454, Kiln Farm,
 Milton Keynes, MK11 3AB
 Telephone 01908 266 200
 Fax 01908 266 120
www.kingspanoffsite.com

Description:

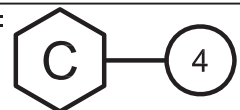
Typical wall elevation with
 window & door openings

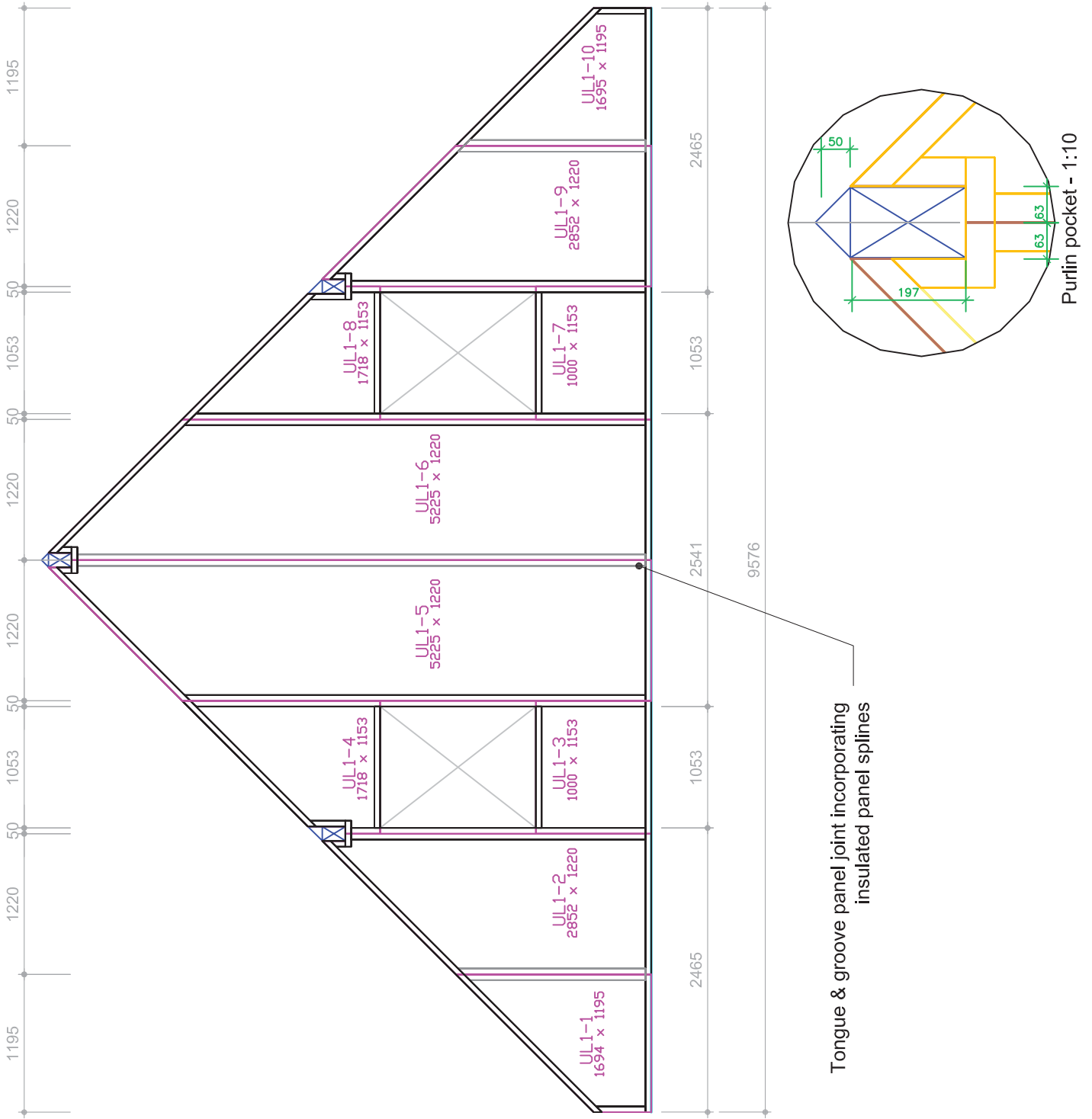
Scale: NTS

Date: 21/04/08

Drawn: W.M

Drawing No:





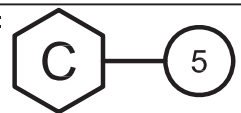
P.O. Box 7454, Kiln Farm,
Milton Keynes, MK11 3AB
Telephone 01908 266 200
Fax 01908 266 120
www.kingspanoffsite.com

Description:

Typical gable elevation with ridge beam pocket detail

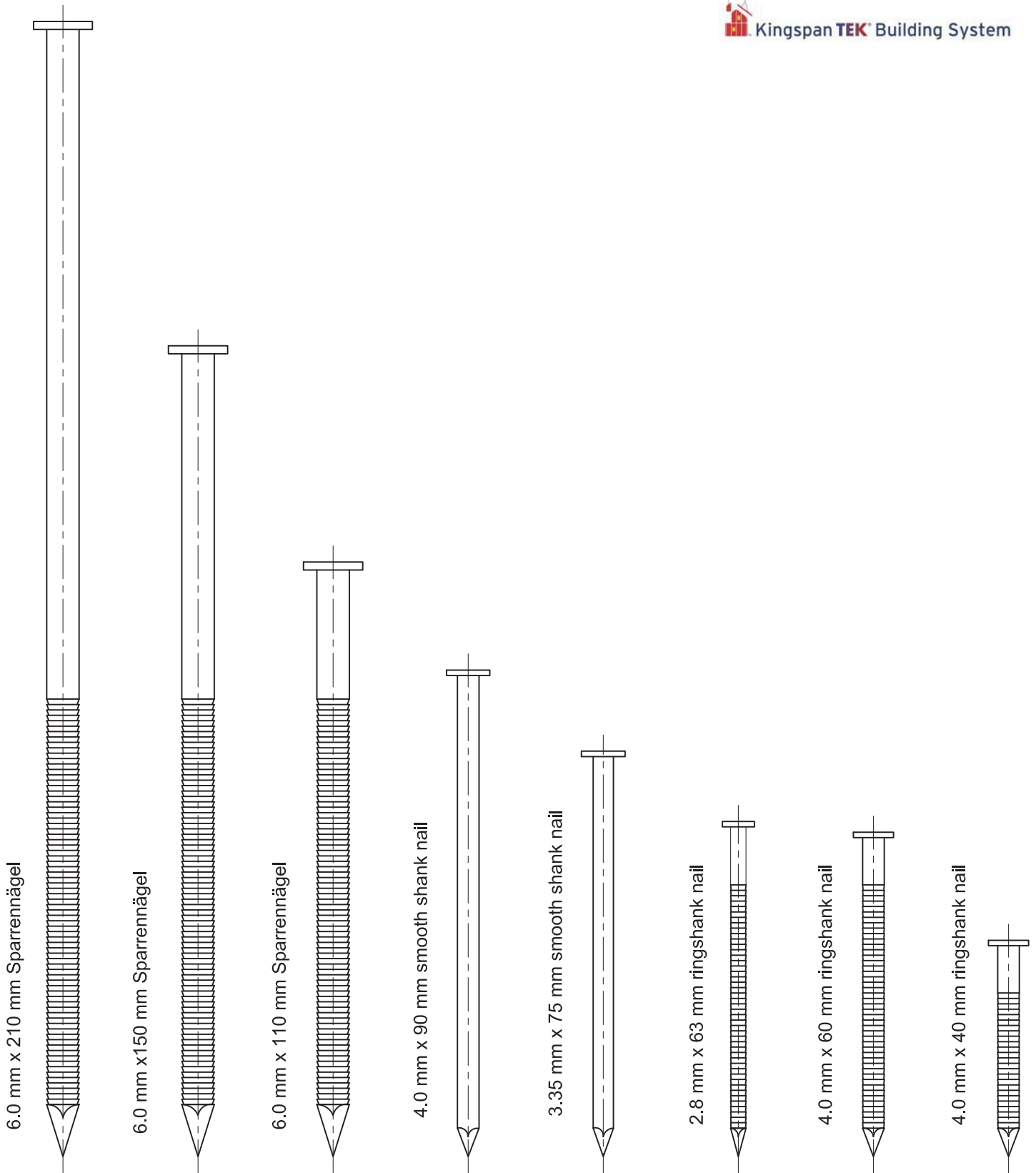
Scale: NTS
Date: 21/04/08
Drawn: W.M

Drawing No:





Kingspan **TEK**® Building System



P.O. Box 7454, Kiln Farm,
Milton Keynes, MK11 3AB
Telephone 01908 266 200
Fax 01908 266 120
www.kingspanoffsite.com

Description:

Standard fixings -

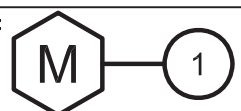
Sparrennägel, Smooth
& Ringshank nails

Scale: NTS

Date: 21/04/08

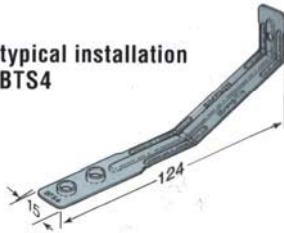
Drawn: W.M

Drawing No:

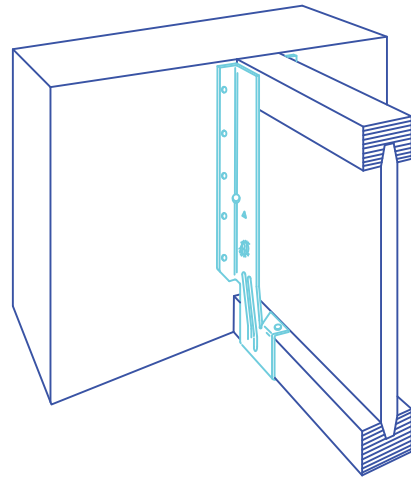




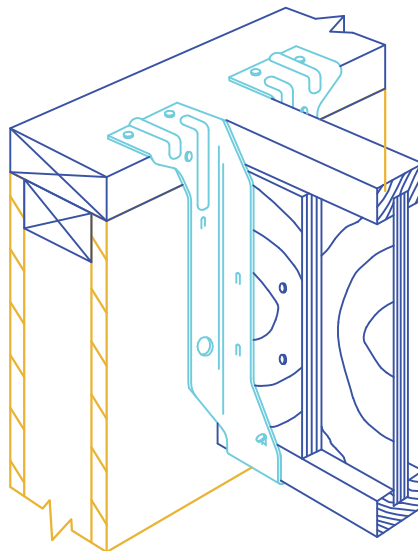
Above right: typical installation
Below right: BTS4



Simpson Strong-Tie[®] BTS (Brick Tie) - NTS



Face mounted joist hanger



Top flange joist hanger
with optional web-stiffness



P.O. Box 7454, Kiln Farm,
Milton Keynes, MK11 3AB
Telephone 01908 266 200
Fax 01908 266 120
www.kingspanoffsite.com

Description:

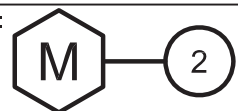
Standard fixings -
hangers & brackets

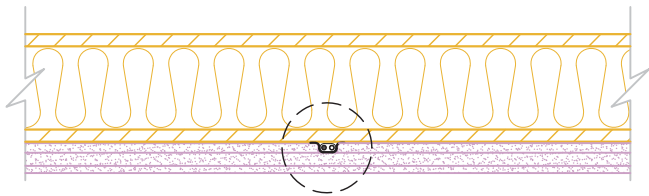
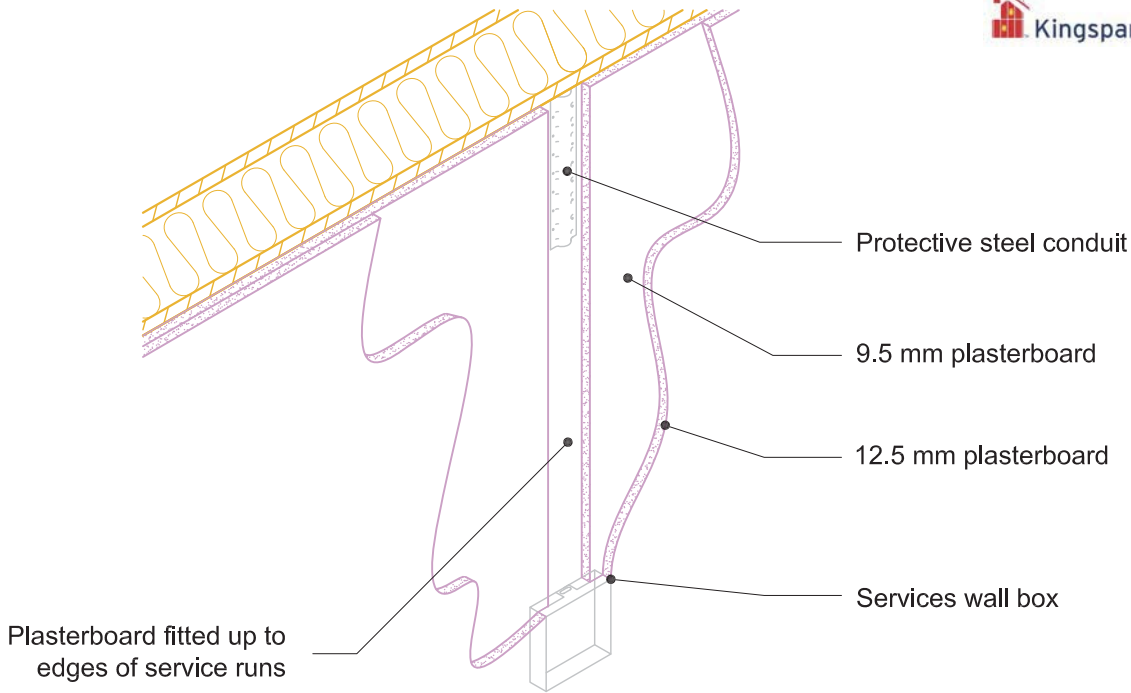
Scale: NTS

Date: 05/08/05

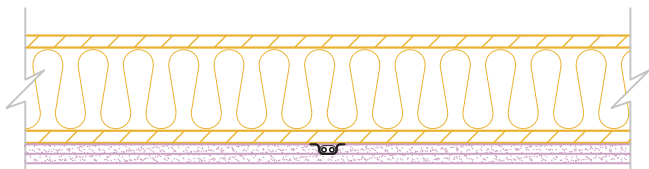
Drawn: W.M

Drawing No:

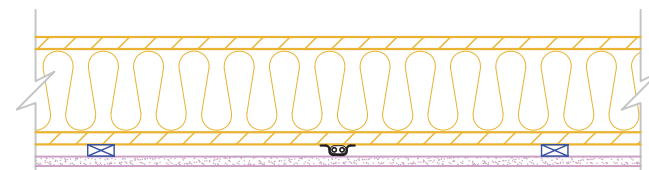




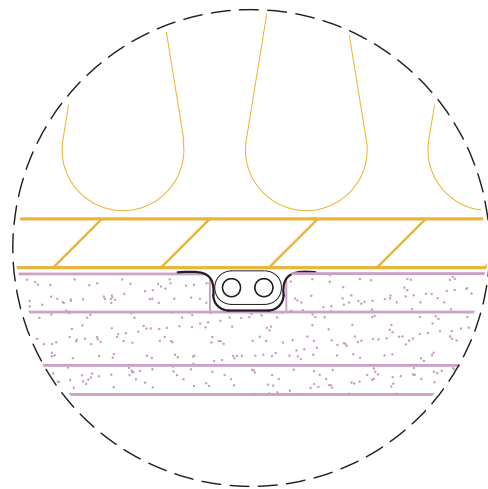
Wall section using triple layer plasterboard to create channel for party wall mounted services.






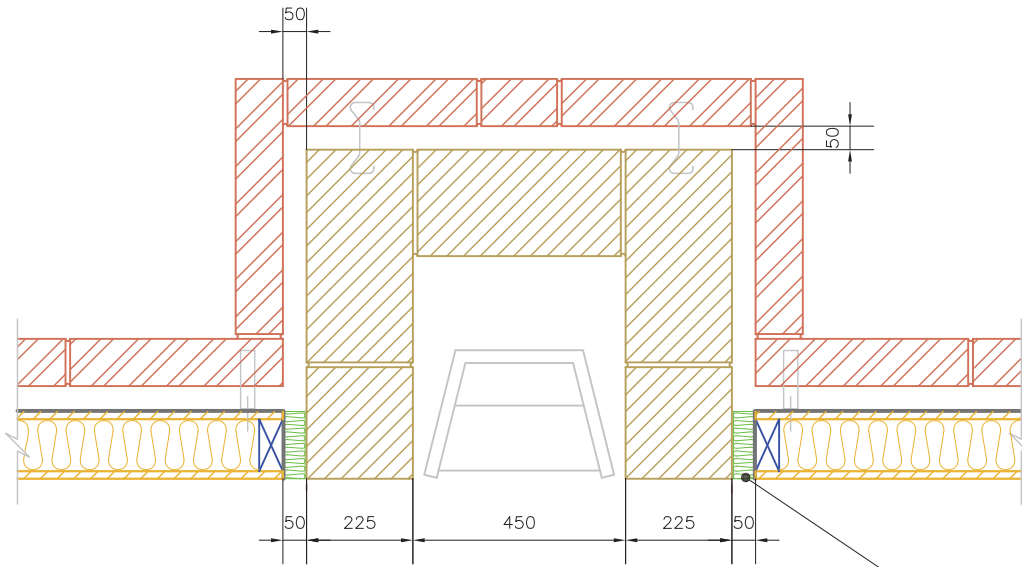
Wall section using double layer plasterboard to create channel for internal wall mounted services.



Alternate method using plasterboard on counter battens to create channel for internal wall mounted services.



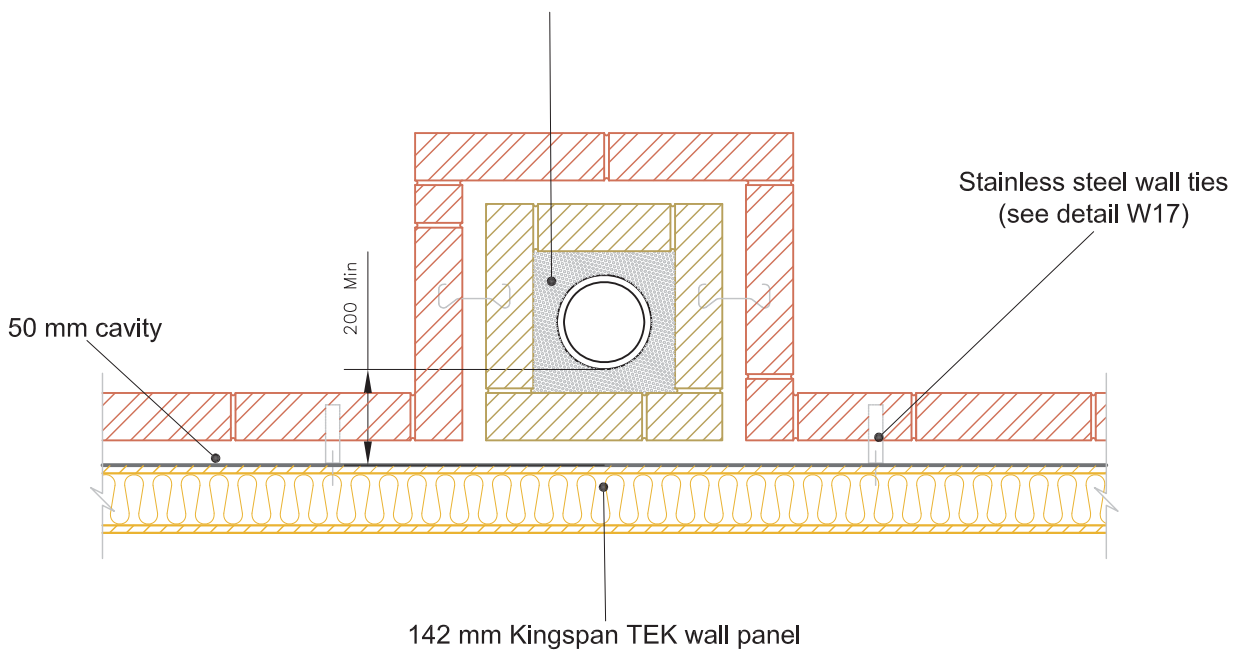
| | | |
|---|--|---|
|  <p>P.O. Box 7454, Kiln Farm, Milton Keynes, MK11 3AB Telephone 01908 266 200 Fax 01908 266 120 www.kingspanoffsite.com</p> | Description: | |
| | <h2>Wall mounted services detail - electrical</h2> | |
| | Scale: NTS | Drawing No:  —  |
| | Date: 05/08/05 | |
| Drawn: W.M | | |



Ground Floor

40 mm min. gap between panel & block filled with non-combustible material

Weak sand / cement mix fill around flue



1.0 m Above FFL



P.O. Box 7454, Kiln Farm,
Milton Keynes, MK11 3AB
Telephone 01908 266 200
Fax 01908 266 120
www.kingspanoffsite.com

Description:

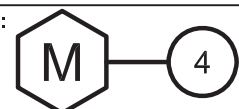
External fireplace recess & chimney

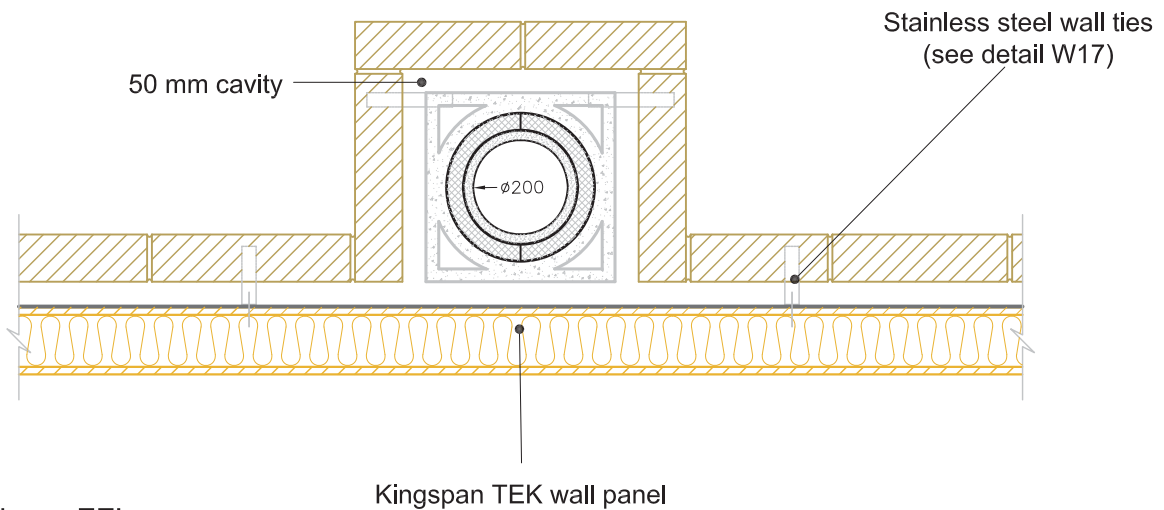
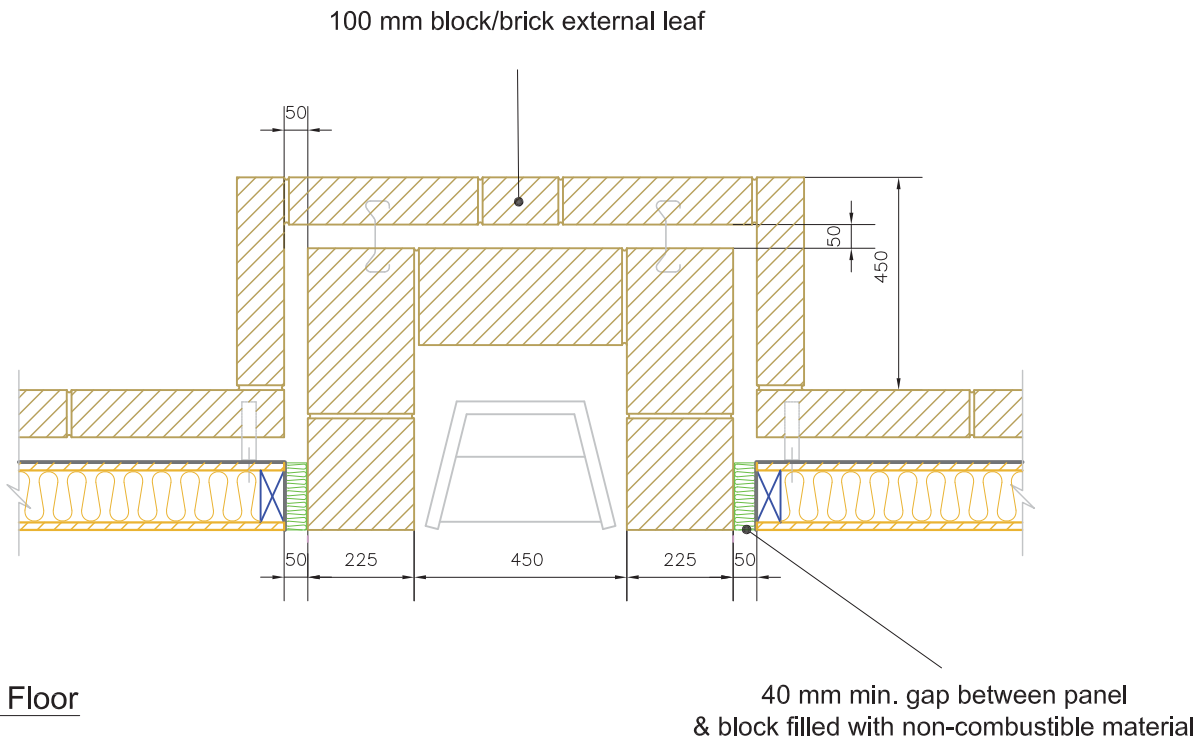
Scale: NTS

Date: 05/08/05

Drawn: W.M

Drawing No:





P.O. Box 7454, Kiln Farm,
Milton Keynes, MK11 3AB
Telephone 01908 266 200
Fax 01908 266 120
www.kingspanoffsite.com

Description:

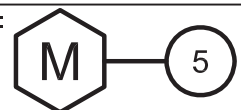
Alternate external fireplace
recess & chimney

Scale: NTS

Date: 21/04/08

Drawn: W.M

Drawing No:



Customer Service

For quotations and order placement please contact the Kingspan Off-Site Sales Department on the numbers below:

UK – Tel: +44 (0) 1908 266 200
– Fax: +44 (0) 1908 266 120
– email: sales@kingspanoffsite.com

Ireland – Tel: +353 (0) 47 81270
– Fax: +353 (0) 47 84397
– email: sales@century.ie

General Enquiries

For all other enquiries contact Kingspan Off-Site on the numbers below:

UK – Tel: +44 (0) 1908 266 200
– Fax: +44 (0) 1908 266 120
– email: info@kingspanoffsite.com

Ireland – Tel: +353 (0) 47 81270
– Fax: +353 (0) 47 84397
– email: info@century.ie

Literature and Samples

Kingspan Off-Site produces a comprehensive range of technical literature.

Kingspan Off-Site's technical literature is an essential specification tool. For copies please contact the Kingspan Off-Site Marketing Department on the numbers below:

UK – Tel: +44 (0) 1908 266 200
– Fax: +44 (0) 1908 266 120
– email: marketing@kingspanoffsite.com

Ireland – Tel: +353 (0) 47 81270
– Fax: +353 (0) 47 84397
– email: marketing@century.ie

Kingspan Off-Site reserves the right to amend product specifications without prior notice. Any information, technical details and fixing instructions etc... included in this literature are given in good faith and apply to uses described. Recommendations for use should be verified as to the suitability and compliance with actual requirements, specifications and any applicable laws and regulations. For other applications or conditions of use, Kingspan Off-Site offers a technical advisory service the advice of which should be sought for uses of Kingspan Off-Site's products that are not specifically described herein. Please check that your copy of the literature is current by contacting the Kingspan Off-Site Marketing Department.



PO Box 7454, Kiln Farm, Milton Keynes, MK11 3AB
tel: +44 (0) 1908 266 200 fax: +44 (0) 1908 266 120

www.kingspanoffsite.com



This brochure is printed on paper made from 80% post-consumer waste and 20% virgin pulp which is Forest Stewardship Council (FSC) certified.